

8 March 2013

Dr Eng. Jan Pająk

"Web pages of Jan Pająk - [boiler.pdf](#)"

(i.e. a PDF brochure with the content of web page named [boiler.htm](#) and entitled "**Shocking history of revolutionary boilers which bit all records**")

Wellington, New Zealand, 2013,
ISBN 978-1-877458-69-9.

Copyright © 2013 by Dr Eng. Jan Pająk.

All rights reserved. No part of this brochure may be reproduced, stored in a database or retrieval system, transmitted, or distributed in any form or by any means, electronic, mechanical, photocopying, recording, or otherwise, without the prior written permission from the author or a person legally authorized to act on his behalf. From the obligation of getting such a written permission are only released those who would like to prepare a single copy of this monograph for their personal use oriented towards the increase of their knowledge and who fulfil the condition that they will not use the copy prepared for any professional purpose or for accomplishing material gains, and also that they copy the entire brochure - including the title page, all items, all illustrations, and all enclosures.

Date of the latest update of the web page presented in this brochure is provided above in the top-left corner. (Note that in case of having access to several copies of this brochure, it is recommended to read the copy which has the latest date of amendment.)

This PDF brochure publishes the text of the web page authored by Dr Eng. Jan Pająk, indicated in the title of it. In turn the author's web pages are forms of fast reporting to the readers results of scientific research accomplished by the author of this brochure. The author is aware, that this research, and the results, are unique, as no-one in the entire world undertook earlier research of topics elaborated in this brochure. Therefore ideas which this brochure presents are the intellectual property of the author of this brochure. All ideas, theories, inventions, discoveries, explanations, descriptions, etc., published here, which have documentary or evidential value, are presented accordingly to standards applicable for scientific publications (reports). A special attention the author has given to the requirement of repetitiveness, i.e. that on the basis of this brochure any professional scientist or hobby investigator who would like to verify, repeat, or extend the author's research should be able to recreate his work and arrive at the same or very similar results and conclusions.

This brochure is another one from a series of similar brochures in PDF, offered free of charges to interested readers through the totaliztic web page named [text 11.htm](#) - which disseminates PDF versions of most significant and most widely read web pages by the author. The topic of this brochure is represented also in the newest [monograph \[1/5\]](#) with following editorial details:

Pająk J.: "Advanced Magnetic Devices",
Monograph, Wellington, New Zealand, 2007, 5th edition,
in 18 volumes, ISBN 978-1-877458-01-9.

Contact addresses to the author valid in 2013 – i.e. during the preparation of this brochure:

[Dr Eng. Jan Pająk](#)

P.O. Box 33250, Petone 5046, NEW ZEALAND

Email: janpajak@gmail.com

Let us imagine a revolutionary heater for water powered by electricity, which bits all possible records. For example, it makes water boil almost instantly and in the entire volume. The inventor claimed that it apparently consumes much less electricity than the value of heat it generates. It is safe in use - means if properly installed one can touch it, as well as touch water it boils, without a danger of electrocuting, in turn when the entire boiled water evaporates, the heater becomes cold by itself and does not initiate any fire. Furthermore, there are premises which suggest that this heater probably also telekinetises the boiled water thus turning it into almost miraculous "water of life" (see item #12 below). In turn, as we know (e.g. from mythology and folklore), such miraculous "water of life" has capability to heal, increases the life longevity, improves taste, conserves food, etc. Thus, these people who drink such "water of life", may gain from it not only good health and increased longevity, but also improved taste and greater usability of everything that is based on it. But the boiler described here bits also completely different record. Namely, the

world record of it is, that a phenomenon called the curse of inventors that secretly affect inventors and discoverers, effectively blocked the implementation of this invention to an industrial production for over 60 years. And this blocking is carried out in spite that the invention displays potentials to positively revolutionise principles of liquids heating, that probably it telekinetises water which it boils, and also that the technical capabilities and pioneering principles of operation allow this invention to lift significantly the civilisation level in the entire humanity. The web page that follows is about this invention, about its inventor, and about shocking fates of both of them.

Part A: Introductory information of this web page:

#A1. What are goals of this web page:

There are numerous goals which I would like to accomplish through publishing this web page. The most vital out of these is arriving to a success in the first phase of my long-term project on research and development of energy devices, which project could be called the "organising of 'public domain research' on energy devices". The intention of this project is to unleash the initiative and creativity of ordinary people through giving to them opportunity to contribute their own research on new technical inventions and new principles of operation in energy devices, which already now promise that they may exert a significant

influence on the future of our civilisation - but which professional scientists do NOT want to investigate for various reasons. The idea of this "public domain research" originates from computers and internet, where countless programs and ideas generated by ordinary people (means without the participation from "professionals"), and then disseminated for free within this "public domain", caused a true revolution in knowledge and a true progress of the humanity. Thus, the major goal of this web page is that also the research on new inventions and new principles of operation in energy devices is formed into a similar "public domain" - while the use of this "public domain" allows to achieve the following: (1) the unleashing of creative potential of ordinary people, (2) the directing of the attention of society that for a true progress it is necessary to "look forward" instead of present "looking backward and chumming again repetitively whatever was already discovered a long time ago", (3) the introduction of a kind of unpaid "competition" to paid scientists and to well financed research institutions, and (4) the causing in the area of inventions and discoveries a similar "true progress" of the human civilisation as it was accomplished in computers due to the "public domain".

Another goal of this web page is to support the course of undertaking an industrial production of the heater described here, through the weakening the effectiveness with which the **curse of inventors** holds back the implementation of the heater described here to a factory production, and thus also blocks the lifting of civilisation level of humanity which the distribution of this boiler would bring to our civilisation.

Still another goal of this web page is to disseminate enough clear description of the heater, that it would make possible the replication of this heater by all interested readers, and thus would make possible the inclusion of this heater to the permanent accomplishments of our civilisation. This is why this page explains exactly the design, principles of operation, components, manner of fine tuning, specifications, problems, and technical details of the heater, and also explains new qualities which this heater may introduce, together with new potentials that are linked to the mass production of it. In turn, due to detailed explanation of all these facts, the web page tries to assist these readers who decide to contribute their efforts towards putting this revolutionary heater to an industrial mass production.

This web page has also imposed on itself several scientific goals. The most vital out of these is to perform a function of a "detailed report from an extraordinary event", which later can be subjected to analysis by other researchers. For example, this report tries to direct the attention at a different from presently assumed operation of time, at the wealth of events and feats of the fate which are composed into a history of just single important invention, and also on the secretive operation on the Earth of this "curse of inventors" which holds back the development of every vital invention and discovery. In turn through the disclosure of specific examples and explanations for the existence of such secretive persecution of creative people, I hope to indirectly help other inventors and creators on the Earth, whom the same kinds of persecution also suppress and disallow to accomplish goals that could lift the civilisation level of the humanity.

#A2. Let us explain more comprehensively the long-term project supported by the main goal of this web page:

If we compare the present situation of the oldest discipline of modern science and technology (which is the "research and development of energy devices"), with the situation of currently the newest discipline of modern science and technology (which is "informatics"), then we discover that also the development of human knowledge and devices is ruled by appropriate laws. These laws cause that in order a "true progress" in a given discipline takes place on the Earth - means the progress defined in item #G4 of the totaliztic web page [eco_cars.htm](#) (which is clearly distinguishable from the "false progress"), then various conditions must be fulfilled. For example, the "true progress" is generated, when **(1)** the "research and development" in a given discipline can be carried out by all interested people (as this takes place in present informatics due to the existence of the "public domain") - NOT just by a hermetically closed circle of "initiated priests" (as this takes place in present energy devices). A "true progress" requires also **(2)** the existence of some form of "competition" (not the "monopole") for research and development and also for "reaping fruits" from a given discipline - of the kind which operated in medieval times in the area of development of best weapons and shields. A perfect example of just such "competition" is present informatics in which the research and development activities are carried out by mutually competing four independent social groups, namely: (a) paid scientists employed in research institutions, (b) ordinary employees of computer industry, (c) individual hobbyists, and (d) criminals which use computers in their activities. In turn, as probably everyone knows, at the moment there is almost no even a slightest "competition" in the research and development of energy devices - where all activities are carried out by just a single social group - namely by (a) paid professional scientists. Also, in order a "true progress" took place, it is necessary that **(3)** the search for new ideas is "in the future" - means amongst phenomena which still remain undiscovered and unutilised, not "in the past" - means amongst whatever is already known for a long time and even utilised in numerous applications. Furthermore, to be a "true progress", **(4)** the progress must be defined as "moral" according to rules of the philosophy of totalizm (e.g. cannot poison anyone with radioactivity, cannot create high or deadly pollution, etc.).

Therefore, to restore also for the research and development of energy devices the conditions described above (which would be able to generate a "true progress"), needed are initiatives of the kind presented on this web page - namely a simple device and a simple research project. This device and project are enough simple to be undertaken by almost every interested person. Thus are able to create a kind of "public domain" and "competition" in the area of energy devices. Also, they hide a significant potential - thus they promise noticeable "fruits" to these who undertake them. This device and project are hiding

numerous secrets - for example, they link vibrations (after all, vibrations are still an "Achilles heel" of present science) with other phenomena which previously were unknown. As such, they "look into the future". They also direct the humanity at the path for seeking individual ways of energy generation which will be impossible to subject to taxes, and thus which in long term are going to induce progress and changes in social, economic, and political systems. Furthermore, they are highly moral. After all, they are to restore justice.

An invigorating project on research and development of energy devices, such as the project described on this web page, is immensely needed by our civilisation. The reason is, that by being the most old devices on the Earth, the energy devices already overgrew with many backward traditions and strange bans. For example, the research on energy devices has developed a tradition that present scientists in advance disqualify from consideration every device which even remotely reminds them the so-called "perpetual motion" device. It does NOT seem to matter for present scientists, that from the philosophical point of view there is almost no difference between the principle of operation of these "perpetual motion" devices, and e.g. principle of operation of present "windmills". After all, if one builds a "windmill" which for the operation is to utilise an unknown earlier kind of "wind" which is "invisible", uniform, consistent, strong, and which "blows" continually for thousands of years, then such a "windmill" in fact will operate as a "perpetual motion" device. In turn, as it is explained in item #A2 from the totaliztic web page [free energy.htm](#), in item #G2 from the web page [pajak jan uk.htm](#), and in item #A2 from the web page [oscillatory chamber.htm](#), present science knows many such unknown previously and typically invisible "winds". Another similar traditions which also play a highly detrimental role in research and development of energy devices, are the so-called "laws of thermodynamics". In spite that many phenomena and research confirmed that these supposed "laws" are just statistic predictions and in reality they do NOT exist, present scientists still behave as if these "laws" were unconditionally applicable to all conditions. Still another significant obstacle for the "true progress" in research and development of energy devices, is the so-called "peer review" - means the scientific "censorship" of new research. This is because, apart of being prone to "political influences" - as this already seems to happen in medicine (see the article "Vaccine link to autism dismissed" from page A4 the New Zealand newspaper [The New Zealand Herald](#), issue dated on Thursday, February 4, 2010), such "peer reviews" evolved also at the moment to the form which disallows to undertake any "futuristic research" which would extend beyond the "fashion" that at present prevails in the science as well as beyond the commonly adhered stereotypes.

Independently from this web page, other technical ideas and devices which also display similar attributes, are presented on a number of totaliztic web pages, for example on [eco cars.htm](#), [seismograph.htm](#), [fe cell.htm](#), [free energy.htm](#), [telekinetics.htm](#), or [magnocraft.htm](#) and [oscillatory chamber.htm](#). These other web pages also support the long-term project described here.

#A3. What motivated me to prepare this web page:

These readers who know my [scientific and creative contribution](#), also know that I am a multiple inventor and discoverer of earlier unknown devices, laws and phenomena. For example, it is me who invented the space vehicle with magnetic propulsion system, called the [Magnocraft](#), and also the propelling device for this vehicle, called the [Oscillatory Chamber](#). It is me who explained the work of time and who developed a principle on which is going to work the [time vehicle](#) and with the use of which [people will be able to overcome death and gain immortality through repetitive shifting back in time to years of their youth after every arrival to an old age](#). It is also me who invented the most basic out of all [telekinetic generators of free energy](#) called the [telekinetic cell](#). It is also me who developed the only working in true life **theory of everything** called the [Concept of Dipolar Gravity](#), and also the proven in everyday life philosophy of moral, happy and fulfilled life, called [totalizm](#).

However, during attempts to implement my inventions and discoveries I experienced extremely shabby treatment. Namely my inventions were (and still are) continually scoffed at, spitted at, unjustly criticised, and blocked from possibilities to implement them, while my scientific discoveries become causes of my unemployment. These continual persecution served to me for the attempt of adding my own contribution to the development of our civilisation led me to the discovery that some mysterious [curse of inventors](#) is in action on the Earth which in the highly skilful, although always well hidden, secretly persecutes every person who in any way tries to lift the civilisation level of humanity. The action "curse of inventors" is NOT noticed by everyone, as it affects selectively only on these people who contribute something important and positive to the scientific and technical development of our civilisation. Therefore, for example this curse does NOT persecute e.g. painters, poets, or writers. But with a double viciousness it persecutes almost all inventors - with the one exception of inventors whose creations serve for killing and for destruction. I call it impersonally the **curse of inventors**. (More unambiguously it can be described with the name used in item #D2.2 from the [totaliztic web page dipolar gravity.htm - about the Concept of Dipolar Gravity](#).) Examples of inventors and researchers from New Zealand whom were persecuted by this "curse of inventors" are described in item #B3 of the separate totaliztic web page [newzealand.htm - about mysteries and curiosities of New Zealand](#). Examples of inventors and researchers from other countries of the world are described in item #K3 of the separate totaliztic web page [fe cell.htm - about telekinetic cells](#). In turn reasons for the existence, mechanism, and operation of this "curse of inventors" is described in items #G1 to #G9 of the totaliztic web page [eco cars.htm](#).

Although the name "curse of inventors" seems to suggest the action of some blind and brainless power, in fact behind this curse hide a high intelligence. This intelligence act in the highly logical, planned, intentional, and effective manner. Watching its actions I must admit that it carries out its intentions in the manner

even more effective than it would be done by excellently organised group of highly intelligent people. More, about this "curse of inventors" is explained in part #F of this web page.

Fortunately, I managed to learn methods and principles with the aid of which **inventors can defend themselves from effects of the "curse of inventors"**(and also from effects of "inventive impotency" which stems from this curse). I described these methods and principles on my web pages - for the benefit and information of interested inventors. Explanations how to implement such defences, the reader can find e.g. in item #H1 to #H3 of the totaliztic web page named [eco cars.htm](#).

The discovery of this selectively acting "curse of inventors" caused, that one of the forms of my personal fight with it, was to help other inventors and discoverers who also were affected by it. An inventor, whose revolutionary devices induced my highest respect, whom in 1990 I personally promised to promote his invention, and whom this curse of inventors persecutes continually for already over 60 years, is the late Mr Peter Daysh Davey from Christchurch, New Zealand. When in February 2008 I discovered, that this [curse of inventors](#) uses against him its most heavy artillery (i.e. uses the [time travel and changes of events which already happened in the far past](#)), this motivated me to write the web page that follows. I entirely devote this web page to the brilliant invention of this inventor.

#A4. Summary of the fate of the inventor of the immersion heater:

Mr Peter Daysh Davey was born in Hamilton, New Zealand, on 30 January 1916. In times of the Second World War he fought in the "Battle for England" as a pilot of the fighter Spitfire in the 602 City of Glasgow Squadron. At that time he discovered the phenomenon which later led him to the invention of the "immersion heater" described on this web page. For the first time he patented this heater in 1944 - see the New Zealand patent number 92.428 dated on 12 December 1944. For the next 60 years he fought with anonymous [bureaucrats](#) for the getting a permission to undertake an industrial production of this heater. Unfortunately, all this time the factory production of his heater was suppressed (blocked) under the excuse that the heater introduces a danger of electrocuting its users. In 1964 Mr Davey purchased in Christchurch a historical house, called the "Locksley homestead". His house was located in Dallington. It was build still before 1860s. (In years 1860 to 1866 it was owned by a well-known banker named Joseph Palmer.) It was in this house that he produced on principles of the "cottage industry" several testing prototypes of his heater. In 1998 I saw with my own eyes that this house was demolished up to its foundations. But in 2008 I saw again, that this house still stands on its old location and in its original appearance. Thus the demolition of it was for some reasons invalidated through changes in the past - similarly as the "curse of inventors" described here invalidated in my sight several other events which

already took place, and which are described in items #C6 to #C6.1 of the web page [timevehicle.htm - about time travel](#).

The heater of Mr Davey is a brilliant and revolutionary invention. It carries in itself the potential to completely revolutionise principles of liquids heating. In spite of this, the only case when I am aware that this heater was briefly described in a newspaper and shown in television, was 92nd birthday of the inventor on 30 January 2008 - for details see item #E1 of this web page. So it appears, that this revolutionary invention needed to wait over 60 years since it was created, for the world to be officially informed about it. Also probably the only reason for which official mass media mentioned anything about it, was the fact that since 25 May 2003 in Internet is available my web page [free energy.htm - about telekinetic generators of free energy](#), in which web page are provided my unofficial descriptions of this heater and the shocking fate of the inventor of it.

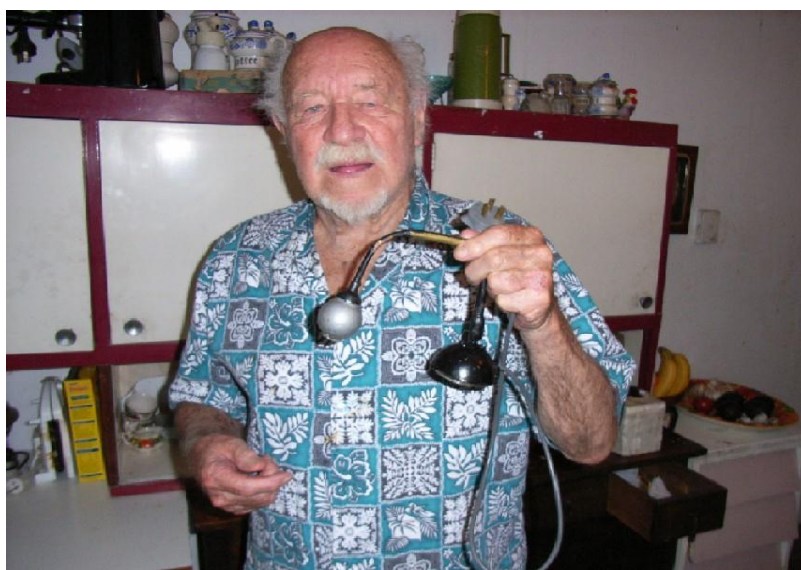


Fig. #A1: Mr Peter Daysh Davey photographed in 2008, when he demonstrates the operational prototype of the "sonic boiler". (Click on this photo to see it enlarged.) This prototype was in quite mysterious circumstances returned to the inventor in a meaningful moment of time. Namely, this returning took place shortly before publishing about it an article in the New Zealand newspaper from Christchurch, named [The Press](#), issue dated on Wednesday, January 30, 2008. (This article was published on page A13. It was entitled "Sax notes lead to off-beat boiler". At the beginning of 2008 the text of this article was available in Internet under the address <http://www.stuff.co.nz/4379593a6530.html>.) Furthermore, the same prototype of the heater was also demonstrated in the evening news on Wednesday, 30 January 2008, in channel 1 of the New Zealand television, in a brief (around 3 minutes long) news item about this heater and about its inventor. This news item was broadcasted almost exactly at 11:00 pm. (Probably the disk DVD with the recording of this news item could be purchased from the channel 1 of the New Zealand television.) Independently from this web page which concentrates on the reporting the shocking history of the brilliant and revolutionary invention of his heater, the principle of operation of this heater, together with principles of operation of other similar telekinetic free energy devices, were described on the separate totaliztic web page [free energy.htm -](#)

[about telekinetic generators of free energy.](#)

The above photograph, and also all photographs shown in part #E of this web page, were taken several days after the 92nd birthday of Mr Davey on 30th January 2008. Thus in 2008 - i.e. at the time of taking this photograph **Mr Davey probably bit the world record of the length of fruitless fight with the bureaucracy.** After all, the length of his continual and still fruitless fight for the industrial implementation of the above revolutionary heater to an industrial production exceeds already **60 years**. So in my own opinion he deserves to be immortalised in the "Guinness Book of Records".

All facts indicate that so senior age of this inventor was accomplished due to drinking the telekinetised water produced by the heaters discussed here. After all, the "theory of everything" called the [Concept of Dipolar Gravity](#) informs, that water appropriately telekinetises by a telekinetic device similar to the boiler discussed here, acquires the attributes of the mythological **water of life** which gives health and longevity to all living organisms which drink it. (More information about the "water of life" produced by the boiler discussed here is provided below in item #E6 from this web page.)

In my personal opinion the boiler invented by **Peter Daysh Davey** is so unique and so advanced, that if this depends on me, I would display a prototype of it in the honorary place of the special section devoted to the New Zealand inventors and scientists from the National Museum of New Zealand named [Te Papa](#). Namely, I would display this boiler next to such exhibits as the first airplane of the New Zealand inventor named **Richard Pearse** (shown in photograph from "Fig. #B3" of a separate web page about [mysteries and curiosities of New Zealand](#)), and the first model of the atom developed by the New Zealand scientist named **Ernst Rutherford**. After all, these three contributions to our civilisation, namely the Dave's boiler, Pearse's airplane, and the Rutherford's model of atom, went through similar turns of fate, while their creators experienced very similar treatments from other New Zealanders in times when they created their revolutionary contributions to our civilisation.

This heater deserves to be placed in a museum even more, because the mysterious circumstances in which it was "returned" suggest that in reality it is a kind of a "Trojan Horse" which was given to our civilization in order to further block and delay the implementation to a mass factory production the advanced technology which this heater represents. In other words, another attraction of the model of this heater shown here is that probably it was NOT constructed by humans.

Part #B: Summary of technical information about the boiler described here:

#B1. The telekinetic heater:

The name "telekinetic heater" is assigned to any technical device which generates heat through the use of technically induced telekinesis. The phenomenon of technically induced telekinesis, which amongst others allows to build telekinetic heaters, is described under the name **Telekinetic Effect** on a whole array of [totaliztic](#) web pages, e.g. on pages [free energy.htm - about telekinetic generators of free energy](#), [fe cell.htm - about telekinetic cells](#), [dipolar gravity.htm - about the Concept of Dipolar Gravity](#), [telekinesis.htm - about technically induced telekinesis](#), etc., and also in volumes 4, 10 and 11 of [monograph \[1/4\]](#).

The phenomenon called the "Telekinetic Effect" in fact is a kind of the "reversal of friction". As such it can be utilised for the development of extraordinary energy generating devices, which in present times are called **free energy devices**, while in past were described under the Latin name "perpetual motion". *Free energy devices are characterised by two unique attributes, namely: (1) they are supplied into energy by some phenomenon which still remains unknown to the humanity (e.g. by some invisible "wind"), thus they make an impression that their energy efficiency exceeds 100% - means that they generate much more energy than the energy required to propel them, and (2) a part of excess of the energy that they generate is directed back to self-propel them - means they are NOT propelled by any external source of energy provided by people.* Because of these their unique attributes, construction of free energy devices is immensely vital for the future of our civilisation. After all, this construction solves all present energy problems of humanity. In spite of this, inventors who work on the development of these extraordinary devices are viciously persecuted, amongst others by this "curse of inventors" which is described in item #A3 above. The interesting in this persecution is, that the biggest enemies of constructors of these extraordinary devices are some present scientists - means people who draw salaries from the society for promotion of the technical progress. Also the fact that the official human science was already hundreds of times forced by the real life to recall its previous claims, and also the fact that first such free energy devices are already operational on the Earth, does NOT stop many present scientists from deceitful telling the society that such devices cannot be build.

An example of industrially produced devices which are very close to the principles of operation of "free energy devices" are present so-called "heat pumps". Heat pumps generate much more thermal energy than they consume energy for maintaining their operation. The only (although very difficult) technical problem which still awaits solving in order to transform these "heat pumps" into "free energy devices", is to create in them a kind of energy feedback, which would forward a part of the excess of energy they produce back to supply in energy their own operation, while the entire such self-supplying system still would have over 100% efficiency.

Already several devices were build on our planet, which in fact do have attributes of these "free energy devices". This is because they supply themselves into the energy required for their operation, and as a whole they still show over

100% efficiency. An example of these, still working today, is the famous so-called **thesta-distatica** that generates free electricity. It is owned by the Swiss religious community called Methernitha. The description of thesta-distatica is contained on the web page [free energy.htm - about telekinetic generators of free energy](#). A kind of free energy device were also so-called **crystal radios** described on the web page [fe cell.htm - about telekinetic cells](#). Another free energy device, which took the form similar to a boiler described on this web page, was the "amphora from Pakistan. A description of it is provided in item #E4.2 of this web page, as well as in item #H3 of the web page [newzealand visit.htm - about mysteries and curiosities of New Zealand](#). The common attribute of all free energy devices which we already get to know, is that in their operation they utilise the "Telekinetic Effect". The heater described on this web page probably also uses the "Telekinetic Effect" in the operation. If such a use is confirmed by research, then this heater would prove to contain the potential to also become a free energy device after it is appropriately redesigned - as this was done in the abovementioned "amphora from Pakistan".

The "Telekinetic Effect" can generate not only electrical energy, but also various other forms of "free energy". Devices were already build and tested in action, which utilise the capabilities of this effect for converting environmental thermal energy into various energies other than electricity. For example, these devices produce chemical energy by converting environmental heat into products of dissociation of water into hydrogen and oxygen. These devices can also produce biological energy by carrying out technical healing. Finally there are free energy devices which produce heat. This last application of the Telekinetic Effect allows to construct telekinetic heaters. On this web page I am describing one such a heater, which was already constructed, and the inventor of which believed that it is able to have the energy efficiency supposedly reaching up to 2000% (unfortunately I had no chance to scientifically verify these claims). This may mean that if it is properly constructed and tuned, it consumes the amount of electrical energy that represents only around 5% of the total energy that it produces in the form of heat. The inventor of this heater is the late Mr Peter Daysh DAVEY of Christchurch, New Zealand. In the version constructed by the inventor before 1990, this device was called the "immersion heater". In turn in the version demonstrated in 2008, it was called the "sonic boiler".



Fig. #B1: The telekinetic "immersion heater" (1990 version) invented during the World War Two (in 1944) by the New Zealand fighter pilot and musician named Peter Daysh Davey. The main component which releases the Telekinetic Effect in this heater, is the inner resonance bowl visible on the very right side, as it sticks out from the outer buffering bowl. (The old New Zealand 50 cents coin, visible on this photo, is 32 mm in diameter. In August 2006 these coins were withdrawn from circulation.) Many times I heard opinions, although I personally had no opportunity to verify these opinions with my own scientific measurements, that this mechanically simple device generates many times more heat, than the amount of electrical energy that it consumes. Means, that it has the energy efficiency significantly exceeding 100%. If future research confirm this fact, this would turn one of the most simple free energy devices in existence. This heater was already proven that it works. Also, it supposedly was subjected to measurements by numerous scientists. However, the mass production of it was purposely blocked by the means of bureaucratic obstacles - for details see the "curse of inventors" described on the web page eco_cars.htm. (The above photograph originates from [monograph \[1/4\]](#) where it is shown on Figure K8.)

#B2. Design of the heater described here:

The design of the Davey's telekinetic heater is extremely simple. It actually is composed of only two major parts - see "Fig. #B2" below, or see "Fig. K8 (3)" from [monograph \[1/4\]](#). The most important out of these two parts is a resonating hemispherical bowl (1) made of a sound inducing metal plate - the inventor always uses stainless steel bowl. The second part is a buffering hemispherical bowl (2) - almost identical in shape to the bowl (1). This second bowl has the radius around 4 to 6 mm larger than the resonating hemispherical bowl (1). Both bowls are assembled symmetrically one around the other, means the hemispherical bowl (1) is placed inside of the hemispherical bowl (2). Of course, apart from these two bowls, the heater also includes a long pipe (8) which holds remaining parts together, two nuts (5) and (3) which fix both bowls in their proper

locations, a washer (4) which allows to regulate the mutual distance "L" between both bowls, and electrical wires (6) and (7) which supply electricity to both bowls and allow the heater to be submerged into water that it heats. But these other parts are marginal additions only. The major parts are the bowls. During experimental production of this heater, the resonating hemispherical bowl (1) usually is made from an old cover for a bicycle bell. The dimensions of this hemispherical bowl are not important. It is only vital that it falls into a sonic resonance at the frequency of 50 Hertz, and that it has the outer surface which is parallel and equidistant from the external buffering hemispherical bowl (2). To each of these two bowls a different wire of the household electricity supply (i.e. 220 V, 50 Hz) is connected. The heater must be submerged in water that it heats. It brings water to the boiling point extremely fast. More details about the design and operation of this telekinetic heater is provided in subsection K3.3 from volume 10 of [monograph \[1/4\]](#).

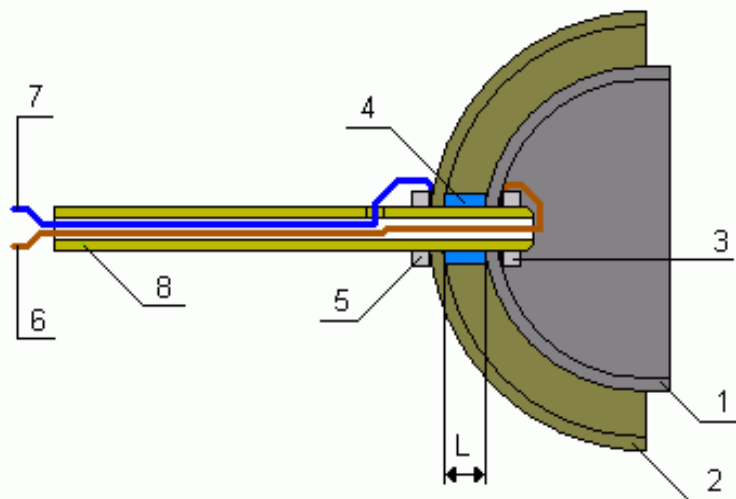


Fig. #B2: The above drawing illustrates the general design and main components of the telekinetic heater of Mr Davey. Notice that it can easily be enlarged by clicking onto it. Descriptions of subsequent components of this heater are provided in subsection K3.3 from volume 10 of [monograph \[1/4\]](#). (The above illustration originates from [monograph \[1/4\]](#) where it is shown as part (3) on Figure K8 - courtesy "szod".)

Symbols: (1) - a "resonating bowl" which is to be connected to the "life wire" of the electricity supply, (2) - a "buffering bowl" which is to be connected to the "neutral wire" (also called the "return wire") of 50 Hz electricity supply, (3) and (5) - two nuts which fix both bowls in their proper locations, (4) - a washer which allows to regulate the mutual distance "L" between both bowls during the second stage of tuning of the heater for the energy consumption (this distance should be around $L = 4$ to 6 mm), (6) - the electrical wire which connects the "life wire" of 50 Hz electricity supply with the "resonating bowl" (1), (7) - the electrical wire which collects electricity from the "buffering bowl" (2) and sends the current to the "neutral wire" (also called the "return wire") of the 50 Hz electricity supply, (8) - a long assembly pipe means a kind of "frame" for this heater which holds remaining

parts together.

* * *

Notice that you can see the **enlargement** of each illustration from this web site. For this, it suffices to **click** on this illustration. Furthermore, most of the internet browsers that you may use, including the popular "Internet Explorer", allow also to **download** each illustration to your own computer, where it can be looked at, reduced or enlarged to the size that you may want, or printed with your own graphical software.

If you wish to **shift** a given Figure (i.e. a photograph or a drawing), means to **move it into another part of the screen where you are just reading a description of it**, you need to do as follows: (1) click on it to make it appear in another window, (2) the "downsize" this another window (with a given photograph or drawing) through "grabbing" its right-bottom corner with your mouse and then dragging this corner upwards-left to receive the size of this different window that you wish to have (notice that since you downsize a first such a Figure, all next Figures clicked on will appear already downsized - unless you enlarge them in the reversed manner), and then (3) drag this another window with the picture that you wish to relocate to the area of this web page where you wish to look at it (to move it, you just grab it with your mouse by the blue stripe on the top of it). Notice also that if you scroll (with scroll bars) the text of the page when you read it, this another window (with the drawing) will disappear. In order to return it into the new position, you need to click on its "icon" (i.e. on the "program's button" from the taskbar) in the lowest part of the screen.

#B3. Fine tuning the heater:

After being constructed, the Davey's telekinetic heater must be "tuned" in two different manners. The first tuning depends on providing the hemispherical bowl (1) with such a frequency of the own oscillations, that it makes this bowl to resonate acoustically when a sound of the frequency 50 Hertz is emitted nearby. From the perfection of the tuning the frequency of the bowl (1) to the frequency of the AC current from the power supply depends the value of acceleration to which are subjected particles of water in the magnetic field generated by the electrical current that flows between both bowls (1) and (2). In turn the value of this acceleration decides about the quantity of the so-called "Telekinetic Effect". This effects defines the amount of thermal energy released to the water, thus also defines the thermal efficiency of the heater and the time required to boil the water. The second tuning of the heater depends on appropriate selecting the distance "L" between both bowls (1) and (2). On this distance depends the formation of the standing wave between both bowls. Thus it decides about the energy efficiency of the entire heater.

In times when I kept in touch with Mr Davey he explained to me that the fine tuning of the bowl (1) to the frequency of the current he carried out with the saxophone. Namely, holding the heater in his fingers he played on the saxophone the tune "low B" - which (the tune) is harmonic to the frequency of 50 Hz. (Other easily accessible sources of sounds having frequency 50 Hz

include: piano - "low D", tuning fork - "50 Hz", buzzing electrical transformer, modern oscilloscope with a speaker.) If the bowl (1) of the heater would NOT fall into a resonance (i.e. would NOT vibrate noticeably) during this playing, then he slightly grinded (on a fast grinder) the front face of this bowl and then tried again. These repetitions he carried out as long as required for the bowl (1) always fall in the resonance (vibrations) when he played this tune.

In turn the fine tuning of the distance "L" the inventor carried out by measuring the electricity consumption by the heater (means measuring the value of Amperes that flow through the heater). Namely he measured this power consumption for several different distances "L" and then set on a given heater the distance "L" for which this power consumption was the lowest.

The manner of fine tuning of the heater described here is also discussed relatively well in subsection K3.3 from volume 10 of [monograph \[1/4\]](#).

#B4. Principles of operation of this heater:

The principle of operation of this telekinetic heater is quite similar to the principle of operation of the telekinetic battery explained on the web page [free energy.htm - about telekinetic generators of free energy](#). Namely the Telekinetic Effect is released in it due to the acceleration and deceleration of magnetic field. The magnetic field that is accelerated, is the one that is generated by the electric current which flows through water between both bowls. In turn the acceleration of this field is accomplish through sonic vibrations of the inner bowl. The required asymmetry of the vibrations of the field, which is required to generate the Telekinetic Effect, and which in the telekinetic battery is caused by permanent magnets inside of coils, in this heater is provided by the curvature of the bowls. Thus the inner hemispherical bowl in this heater is doing the same job as the inductor (I1) is doing in the telekinetic cell.

#B5. The power supply to the heater:

In order this heater could work, it must be supplied into electricity from the home 50 Hz alternating electrical energy supply. But the principle of operation of this heater requires that this power supply is connected in a strictly defined manner - as this is illustrated in "Fig. #B2" above. Namely, its "resonating bowl" must be connected to the "life wire", while the "buffering bowl" must be connected to the "neutral (return) wire". So in case of countries, like Poland, which in home plugs have just two wires, one must make sure which one of these wires is which - so that the "life wire" is always connected to the resonating bowl. But the confusion appears in countries such as England, Cyprus, Malaysia, or New Zealand, which in electricity plugs have three wires. After all, in these countries each wire has a different function, namely (1) the "life wire", (2) the "neutral wire" (also called the "return wire"), and (3) the "earth wire". Only the "life wire" is there

easy to detect with a probing instrument, as it indicates the presence of the live electricity. In turn the "neutral (return) wire" can easily be confused there with the "earth wire" - although in these countries the "earth wire" is typically positioned a bit distant from two remaining wires. In turn when these wires are confused, the heater is going to cause a continuous tripping of the circuit breaker. After all, in these countries the circuit breaker shuts off the power supply when a current leakage to the "earth wire" exceeds just 50 milliamps. (In comparison, the "neutral (return) wire" typically tolerates the current of up to 10 amperes.) This means that the earth wire disallows the entire power consumption of the heater is directed to it, and thus it is going to cause continuous tripping of the circuit breaker. Therefore, when this heater is connected to a power supply in such three-wire countries, the care should be taken that not only the "resonating bowl" is connected to the "live wire", but that also the "buffering bowl" is connected to the "neutral (return) wire" (means NOT by any chance to the "earth wire").

#B6. The energy efficiency of this heater:

In discussions with many people that watched the development of situation in the matter of this heater, I encountered numerous claims or rumours, that the unusual attribute of the Davey's heater is, that it supposedly was experimentally proved to yield to the heated water more thermal energy than the amount of electrical energy it consumes. **I never had an opportunity to measure myself and to research the energy efficiency of this heater.** However, from the information that the inventor repeated to me, I gather that the measurements carried out by New Zealand scientists suggested that this heater may consume even less than the equivalent for around 5% of the energy that it generates in form of heat. This would indicate, that the electrical efficiency of this heater is around 2000%. (Means, that the heater would produce over 20 times more heat than it consumes electrical energy.) In turn so huge efficiency of this heater would allow it to be used for constructing the so-called "perpetual motion" (means to e.g. evaporate water with this heater, use the steam that it produces to run a steam engine, while the motion from the steam engine use to generate electricity which is going to supply the heater with the energy required to evaporate water, etc., etc.) Several orthodox scientific institutions in New Zealand supposedly had a very hard time to explain on the basis of today physics what is the reason for this over 100% efficiency of this device. After all, it contradicts all known so-called "laws of thermodynamics". Finally one of these institutions (i.e. supposedly the New Zealand DSIR) got an idea, or rather an accusation, that this heater instead of the electric current, may consume the so-called "cosine fi" - i.e. the abstract quantity that represents a phase shift between the pulsations of the voltage and pulsations of the amperage in the alternating current. This particular parameter is immeasurable with the standard electrical instruments. But even the specialized measurements and research carried out by these scientists have not confirmed this claim (accusation). Still, in spite that it was never confirmed experimentally that this heater actually consumes the "cosine fi", due to insisting on this deceitful explanation, the authority of the orthodox science was saved.

Personally I was rather sceptical regarding these 5% outcomes of measurements of thermal energy obtained by New Zealand scientists. After all, my doctoral dissertation depended on measurements and on computer modelling of thermal energy conversions. So I know jolly well how difficult is to accomplish such a high accuracy during measurements of so complex and so unknown thermal phenomena. Thus, just the error of such measurements may exceed many-fold 5%. Also, for many years I worked with New Zealand scientists - so I know their research capabilities, methods, habits, and attitude towards measurements. All these factors merged together caused, that until the efficiency of this heater was measured in a manner the accuracy of which coincided with my requirements, I assumed that the real efficiency of it still remains unknown to us. As this was later revealed in item #G5.1 below, in reality so-far its efficiency was NOT confirmed as exceeding 100%, while these rumours about its extraordinary efficiency turned out to be the outcome of an optical illusion that it boils water immediately after the electricity is switched on.

#B7. Potentials for causing a scientific revolution:

The Davey's heater may hide potentials for causing a revolution in the Earth's science and technology. The reason is that probably it works on principles of technically induced telekinesis, that the operation of it cannot be explained by science to-date, and also that it may allow to accomplish things that so-far were considered to be "impossible" - e.g. it may allow to accomplish a "perpetual motion". This means that a popular use of this heater would inspire new areas of research and new quest for answers. Therefore, should this extraordinary heater be put into a mass production at the time when the inventor intended it, means in 1945, by now probably it would completely turn upside down the human science and technology. So the technically induced telekinesis, instead of being explained by myself only in 1989, could actually be explained by some other scientist at least 40 years earlier. In turn, the explanation of principles of technical telekinesis, could lead to the development of telekinetic propulsion systems, of the type used in the so-called **Magnocraft** and described on my web pages **[telekinesis.htm - about the phenomenon of telekinesis](#)** and **[propulsion.htm - about the propulsion of Magnocrafts](#)**. It could also inspire our understanding of human telekinesis (psycho-kinesis) and attributes of the human mind which induce human version of telekinetic motion.



Fig. #B3: Mr Davey (this distinguish gentleman with a beard), photographed with me (i.e. with [Dr Jan Pajak](#)) in 1990. (Click on this photograph to see it enlarged.)

Mr Davey holds a kind "world record" in the fight with "**bureaucracy**" for the permission to implement his boiler to an industrial production. After all, since 1944 (in which year he invented his boiler) till 2008 (in which year he explained in the news report, described here in item #D3, that he still fights for the implementation of his boiler to a factory production) already over 60 years have passed. More about his unique "world record" is written in item #B3.1 from a separate web page [newzealand.htm - about New Zealand](#). In turn the extraordinary boiler of his invention is described not only on this web page, but even more comprehensively on another web page [free energy.htm - about telekinetic generators of free energy](#). The boiler of Mr Davey was publicised in 2008 in the article entitled "Sax notes lead to off-beat boiler", on page A13 of the New Zealand newspaper from Christchurch, named [The Press](#), issue dated on Wednesday, January 30, 2008. At the beginning of February 2008 the text of this article was also accessible in Internet under the address <http://www.stuff.co.nz/thepress/4379593a6530.html>.

Part #C: The first stage of blocking an industrial production of the boiler via the use of secretive actions of unidentifiable bureaucrats:

#C1. Persecution of the inventor:

The story of the invention of this heater is both, very inspiring, and also very

sad. Mr Davey was a musician who volunteered to defend freedom and his country as a fighter pilot during the World War Two. He took part in the Battle for Britain. Fighter aeroplanes of that time had propellers and engines, which during acrobatics of aerial battles were making the pilots cabin to vibrate at various frequencies. As a sensitive musician Mr Davey noticed, that there was such a frequency of the motor and propeller buzzing, when the aeroplane cabin and his body were getting into a resonance. At this unique resonance frequency he always was experiencing an influx of heat in his aeroplane cabin. He did not know yet, that in future this phenomenon will be utilised in ultrasonic weapon systems for effective and undetected killing of people. But he decided to test whether the same phenomenon is to appear, if a metal hemisphere which simulates his pilot cabin is submerged in water and is excited into a resonance frequency of an AC current. So he found two tops from old bicycle bells, joined them together, tuned one of them to 50 Hz frequency, attached electricity wire to each one of them, and thrown them into water. Surprisingly, water started to boil extremely fast. So he made his first heater patent based on this observation. This patent was already registered in 1944.

After a hero return from the war, he had a device, which supposedly proved to everyone who measured it, that it has the efficiency exceeding 100%. Realising this, he believed that the world is going to pounce on the opportunity of production and use of this technical miracle. After all, people are full of declarations about apparent saving on energy, resources, about protection of our natural environment, etc. However, the reality turned out to be completely opposite. Immediately after it was experimentally confirmed that the device has unexplainably high efficiency, the heater and the inventor fell into disfavour of various institutions that are interested in selling electricity and that protect the monopoly on electrical power. In the result, this invention received an extraordinary treatment! Namely authorities were doing everything in their powers to disallow the production and sale of this heater in New Zealand. One of legal tricks that were used against this heater, was that it was declared officially to be "unsafe to health and life of users". (Please notice that practically every electrical device working on 220 Volts can be declared unsafe, if someone in the position of authority wishes to put it down.) In turn in New Zealand it is impossible to undertake the production and sale of anything, that is not officially approved by the government. In the result, Mr Davey was fighting for next over 60 years to receive a permit for the industrial production of this heater. And during these over 60 years, the permission was continually refused to him, no matter what research outcomes he submitted to please authorities, and no matter how hard he tried. But it is interesting, that in Australia an electric jug with a heating element of the design very similar to the Davey's heater was put in mass production (this Australian jug most probably is produced in there still even today). This Australian jug is working on the principle of electrical resistance of water (i.e. not vibrations - as the heater of Mr Davey does). Water that it heats is a resistor, in which heat is generated because of the electric current flows through this water. This Australian jug is exactly the same "dangerous to the health and lives", like the telekinetic heater of Mr Davey. Only that it did not encountered in Australia similar bureaucratic resistance probably because the energy efficiency of it is "normal".

When I met Mr Davey for the first time in 1990, he still was optimistic and

appealing to authorities, and still had a hope to receive a permit for the production of his heater - in spite of these then already almost 50 years long, lost battles with bureaucrats. He was even showing to me a large stock of components he gathered to start a production immediately after the permit is granted to him. However, he gave up the experimental production of research copies of his heater. Even the heater he was using by himself, was then already broken and he had no the will to repair it (this broken heater is shown on the photo "Fig. #B1" above). So practically already in 1990 I had no pleasure of seeing his heater at work. However, Mr Davey run out of his usual optimism when I talked to him for the last time shortly before I needed to leave New Zealand in 1992 to seek my bread overseas. Then he was completely destroyed, deprived the will to live, and on the edge of a nervous breakdown. His most recent appeals were again squashed. He could not understand then, why offering to the world a breakthrough free energy device of supposedly the experimentally proven efficiency that exceeds 100%, he receives-back only scoffing, persecution, and bureaucratic plus legal obstacles that make impossible the production of his device.

#C2. Closing my contacts with Mr Davey caused by the demolition of his house in 1998 and disappearance of his name from the telephone book:

In 1998 I returned to New Zealand from my bread-seeking globetrotting. After the return I initially lived in Dunedin - means a city which is distant from Christchurch by around 360 km. But near the end of 1998 I went into a trip through New Zealand in search of a job. In this trip I passed through Christchurch in both directions, means two times. Of course, each time I travelled through Christchurch I attempted to contact Mr Davey. But when passing through Christchurch for the first time, I discovered that the home of Mr Davey was just being demolished. In the day when I was there, the demolished was already a half of the house, although the veranda of it, and also stairs which led to the flat of Mr Davey, still stood undamaged. When I was passing there again on my way back, in the place where his home stood previously, I found only a large pile of broken wooden planks mixed with broken bricks. It looked as if several heavy tanks rolled through his home. In turn no even a trace of him. I was also unable to find a neighbour or anyone nearby, whom I could ask what actually happened to him. His name and address disappeared from the telephone book. So I thought: that's the end. After this event I ceased further visiting his home, although in 1999 I still went to Christchurch several times. In turn after 1999, as I explained this in subsection A4 of [monograph \[1/4\]](#), it has not been in my fate to let me go to Christchurch again.

From the silence which then started to prevail in matters of the Mr Davey's

heater I realised that this heater was gradually forgotten in New Zealand. Also the fate of the inventor himself remained unknown to me. When I talked to Mr Davey for the last time, I promised him to publish the description of his heater and the story of his lifetime battles, so that perhaps someone else picks up his fight and puts this miraculous heater into a mass production. In this way his long suffering and his brilliant invention would not be wasted, and would start to work for the good of our civilisation. Descriptions from the web page [free energy.htm - about telekinetic generators of free energy](#), and later also from this web page, were prepared as my fulfilment of that old promise.

Part #D: Events that took place in 1992 to 2008 - which prepared me to the surprise from the beginning of 2008:

#D1. My experiences with the "curse of inventors" and the body of evidence which documented that this curse in fact persecutes all morally acting inventors, discoverers, and all other people who uplift the civilisation level of humanity:

Mr Peter Daysh Davey is not the only inventor whose revolutionary invention is tightly suppressed and persecuted. A whole array of other inventors and researchers from New Zealand, who experienced the same fate, is described in item #G1 of a separate web page [newzealand visit.htm - about the message from God contained in the lack of preparation of Antipodes for populating by humans](#). In turn a number of cases of similar suppressions and secretive persecutions imposed on inventors and researchers from other countries is described in item #K3 of the separate web page [fe cell.htm - about telekinetic cells](#), in item #B4.4 and on the entire web page [mozajski uk.htm - about Aleksander Możejki, the Polish constructor of the first airplane in the world](#), and in item #G2 of the separate web page [eco cars.htm - about pollution-free cars](#). In addition, cases presented on the above web pages are just "tip of an iceberg" in the huge pool of similar situations. If one reads in literature a biography of any inventor or discoverer, whose creative activities fulfil the definition of so-called "real progress" defined in item #G4 of the totaliztic web page [eco cars.htm](#), then it always turns out that this inventor or discoverer was

also persecuted by a whole avalanche of improbable problems, obstacles, bad lucks, offences, etc.

This wide spread of a very shabby treatment of the most creative and most moral inventors and discoverers, caused that this treatment received even a special name of the **curse of inventors**. Of course, to the group of people who are viciously persecuted by this "curse of inventors", I also include myself. Manifestations of my own persecution, as well as the descriptions of inventions and scientific discoveries for which this secretive persecution is affecting me, are described more comprehensively on the web page [pajak_jan_uk.htm - with the autobiographical note of Dr Eng. Jan Pajak](#).

Origins and the mechanism of operation of the "curse of inventors" requires quite elaborate explanations. This is because the curse results from the existence and work of the so-called "moral field" described by the [philosophy of totalizm](#). The work of this "moral field" is such that "everything that is moral must climb uphill in the moral field". In turn because making inventions is equally moral like e.g. telling the truth, thus in front of every inventor this "moral field" must be configured on purpose in such a manner, that for implementing a given invention the inventor must climb uphill in this field (means, the inventor must act along the so-called "line of the highest resistance"). But in order this "climbing uphill along the line of the highest resistance" could really occur, the fate must throw various obstacles under the feet of a given inventor. This is why the sole occurrence of such obstacles and persecutions (means the sole occurrence of the "curse of inventors") is a proof that whatever a given inventor is doing, it is actually highly moral, needed, appreciated and awaited by God, and that after it is implemented it is going to represent a "real progress". A more complete description of origins and the mechanism of operation of the "curse of inventors" is provided in item #B4.4 of the separate web page named [mozajski_uk.htm](#) and in "part #G" of the separate web page named [eco_cars.htm](#). On this web page, in item #F1 below, is contained only a brief summary of it.

If we provide here a definition of this phenomenon, formulated for the criterion of the function which it performs in our civilisation, then it would state that **the "curse of inventors" is a mechanism of moral self-regulation ingeniously designed and consistently implemented by God Himself; this mechanism causes that communities which passively tolerate in their midst an intolerable number of immoral individuals, self-serve themselves a punishment due to the escalation in themselves the so-called "inventive impotency" which deprives them the access to numerous benefits that result from new inventions and new scientific discoveries**. In other words, the moral mechanism of the "curse of inventors" depends on this, that the technologically creative people are always submitted by God to the power of most immoral individuals amongst the community in which these creators live, thus making inventions dependent exclusively on the "good will" of these immoral individuals. In turn, these most immoral individuals from a given community typically "bully" such creators, so that if the level of "immorality" exceeds in this community a specific height, then this community is unable to develop and to implement any new technical invention or any new scientific discovery. In the result, such a community saturated with highly immoral individuals induces in itself the **"inventive impotency"** with which it serves the punishment to itself.

After all, this "inventive impotency" cuts off the access of it to various benefits which always are brought about by the development of new technical inventions and new scientific discoveries. In the result, new inventions and new discoveries eventuate only in communities in which such most immoral individuals are very sparse, while the level of their immorality is yet NOT very high. (More on this subject is explained in item #B4.4 of the totaliztic web page named [mozajski_uk.htm](#).)

In the vital interest of all inventors is to get to know well the "curse of inventors". The reason is that (as I experienced this painfully myself) without the knowledge of the existence and work of this curse, the avalanche of troubles and obstacles which fall on the head of every morally acting inventor, becomes difficult to withstand and extremely demoralising. On the other hand, when we already know the "curse of inventors", these problems and obstacles begin to look as completely "natural", justified, and even needed - and thus they cease to bother us. Furthermore, the knowledge about the existence and work of the "curse of inventors" deprives the outcomes of this curse the taste of "bad luck", "bad omen", or "superstition" - which has the tendency to discourage people from continuation of activities on the path of which rapidly appears a number of such improbable obstacles. After all, the occurrence of this curse reveals that a given our endeavour is needed and desirable, that it is going to contribute towards a "real progress" and that actually even the "supernatural powers" appreciate its highly moral and progressive character. Therefore, if we only are able to overcome the obstacles which the "curse of inventors" throws at our head, we should prove to **God** our value by breaking through these obstacles and implementing a given endeavour.

#D2. My eye-witnessing of cases when something that already happened in the past was reversed and replaced with a completely different state of things:

In years 1992 to 2007 I experienced a number of events, which documented, that everything that already took place in past can be invalidated through shifting time backward and subsequent replacement of these events by a new state of reality. Examples of several such events in which I participated in person, and which boiled down to just such intentional invalidation and change by a mysterious someone events which already took place in past, are described in items #C6 to #C6.2 of the web page [timevehicle.htm - about time, travel in time, and time vehicles](#). Similar events, only that experienced by people other than myself, are described in subsection V5.3 from volume 16 of [monograph \[1/4\]](#). In turn examples of natural changes of whatever has happened in past, are described in item #D2 of the web page [newzealand.htm - about mysteries and curiosities of New Zealand](#).

Of course, if an event from the past is invalidated, it always means that (1) there was an important reason for this invalidation, and also that (2) the intelligence which is capable to carry out this invalidation in fact does exist (means that does exist the intelligence reported in item #F of this web page). In this light, rather important meaning assumes the fact, that in 2008 I experienced the invalidation of the demolition of house of Mr Davey, the demolition of which I witnesses in 1998. Thus the invalidation of this demolition on one hand confirms that it was carried out for a vital reason. So it is justified to scientifically seek this reason on this web page. On the other hand it confirms the existence of intelligence referred to in part #F of this web page, and also confirms the significance of the boiler described here for intentions of this intelligence.

#D3. News item in the TVNZ 1 on 30 January 2008, at 11:00 pm, which show Mr Davey and demonstrated the working prototype of his "sonic boiler":

Everything that I described on this web page in previous parts #B and #C, represents the state of my knowledge about the boiler discussed here as for years 1990 to 2007. However, at the beginning of 2008 it turned out that the matter of this boiler is continuing. Namely, on Wednesday, 30 January 2008 at almost exactly 11:00 pm, in the evening news from channel 1 of the New Zealand television, a documentary report was broadcasted about Mr Davey and his boiler. The report lasted only for around 3 minutes. (The reader probably can purchase from "TVNZ 1" a disk DVD with recording of this report.) In this report almost an instant action of the newest version of this boiler was demonstrated. The boiler make water boil in just several seconds. This report also informed that Mr Davey is already 92 years old, and that he still fights for the implementation of this boiler to a factory production. In this way his struggle extends to over 60 years - thus giving to him a kind of "world record". More about this "world record" is written in item #B3.1 of the separate web page [newzealand.htm - about New Zealand](#), and also on this web page. The report also implied that Mr Davey still lives in Christchurch. In turn this information allowed me to contact him again - as I described it in further parts of this web page.

I managed to notice in this brief news item that the version of the boiler shown in there solves already the problem of safety because of which this boiler previously was refused to get permission for a factory production. Namely, in this new design the "buffering bowl" (see (2) in "Fig. #B2"), has already the form of almost a completely closed sphere - instead of the hemisphere as (2) shown in "Fig. #B2". To this buffering bowl the "zero" ("ground") wire of the electricity supply is connected. This causes that the buffering sphere completely closes the access to the "resonating bowl" (see "1" on "Fig. #B2"), to which connected is the supply voltage (i.e. the life wire of electricity supply). In this way the fully spherical

"buffering bowl" (2) makes impossible to the user an accidental touching the bowl (1) to which the supply voltage is connected. This in turn prevents possibility of accidental electrocuting the user. So I was very interested to learn whether, after solving this problem, Mr Davey manages to implement this boiler to a factory production. Especially that the existence of this boiler took as long as until 2008 to be finally revealed to New Zealanders via the news item in TVNZ 1, and also via the article in the New Zealand newspaper from Christchurch, named [The Press](#), issue dated on Wednesday, January 30, 2008. (This article was published on page A13 of The Press. It was entitled "Sax notes lead to off-beat boiler". At the beginning of February 2008 the content of this article was also available in the Internet under the address <http://www.stuff.co.nz/4379593a6530.html>.)



Fig. #D1: Here is my own photograph which illustrates the side view of the "sonic boiler" the operation of which was, amongst other, demonstrated in the news item discussed here - of TVNZ 1 on 30 January 2008, at 11:00 pm. (Click on the above photograph to see it enlarged.)

The sonic boiler shown above differs from the immersion heater shown in photograph from "Fig. #B1". The difference depends on a different design, on providing the solution for the problem of electrocuting which problem was a main reason for the refusal to allow heaters of Mr Davey to go to a factory production, and also on the use of different materials - e.g. the aluminium buffering bowl.

#D4. My discovery that also in the matter of the heater described here the elapse of time was shifted back while events that already took place were invalidated and reversed:

As I am going to describe this in more details in the next part #E of this web page, the consequence of seeing Mr Davey and his boiler in television was that I immediately researched this matter again. In the result it turned out that also in case of Mr Davey time was shifted back, while events the effects of which I saw in past with my own eyes were rapidly invalidated and reversed. For example, the house of Mr Davey, the gradual demolition of which I saw on two different occasions, rapidly reappeared on its previous location and almost in the same appearance as previously.

As I described this already in item #D2 above, in the meantime I had opportunity to get to know many cases of shifting time back and invalidation of whatever happened in the past. I even get to know in person several people who reported to me their experiences when they probably have died but later were returned to life just by such a shifting time back. (Descriptions of such cases are provided, amongst other, in subsection I4.1.1 from volume 5 of [monograph \[1/4\]](#) - see in there the law #4D.) Thus, just the reversal of the demolition of the house of Mr Davey and giving a continuation to the matter of his heater did NOT surprise me at all. But what made me really wonder, was that there must exist an extremely important reason to shift his time back and to reverse consequences of past events in that particular case.

If the reason for the reversal of past events in the matter of this heater was just causing the mass factory production of it, then this heater we should already be able to purchase in shops. After all, when the time was shifted back, reasons for blocking the mass production of this heater could easily be eliminated. However, since the factory production of this heater was NOT undertaken in past, this means that the reason for shifting time back was opposite. Means **the reason for shifting time back in the matter of this heater must be to prevent the not-too-distant mass production of it, through erecting some additional obstacles which required the reappearance of this heater and its inventor.** Thus, to the matter of possible methods with the use of which in this new phase the factory production of the heater is prevented, is devoted the next part #E of this web page.

Part #E: The second stage of suppressing the production of the "sonic boiler" starting from 2008 - this time probably implemented through the method of a "Trojan Horse":

#E1. Strange "coincidents" which accompanied my meeting with Mr Davey at the beginning of February 2008 - means after over 15 years from mysterious termination of our previous contacts:

By some strange "coincidence" in the second half of 2007 I was honoured of being invited at the wedding of a daughter of friends who live in Christchurch. The wedding was planned at first days of February 2008. Thus already around a half of January I had purchased tickets and paid a hotel room in Christchurch. In evening, on Wednesday 30 January 2008 for some reasons I did NOT went to sleep as usual around 10 pm, but something stopped me over an hour longer. So I took this opportunity to have a look at evening television news which that day the channel 1 of television New Zealand broadcasted from 10:30 pm until 11:00 pm. (Typically I almost never watch these news because they are too late for my daily routine and I am already sleeping.) The last position of these news, broadcasted as a kind of curiosity almost exactly at 11:00 pm, was a report which shook me immensely. Namely in this report they show my old acquaintance, Mr Peter Daysh Davey, as he demonstrated the extraordinary heater which this time he called the "sonic heater" - while his previous heaters he used to call "immersion heaters". This "sonic heater" was slightly similar to the "immersion heater") which Mr Davey show me and described in 1990. Only that from the outside its buffering bowl was in the form of a completely closed sphere that looked as if made of aluminium.

Out of things that attracted my attention in this television report, the most thoughts provoking were words of the opinion provider whom authors of the report invited to express opinion about the heater. In spite that this opinion giver was a retired scientist, and thus he should complete some research on the heater about which he was to give opinion, in fact his opinion did NOT contain any information that would be based on research, nor provided even a single quantitative parameter which would be measured on the heater. Thus in the program this opinion-giver expressed himself almost in a manner as this is done by film commentators, not by scientists. Means he expressed exclusively his own believes, views, and feelings - instead of facts that would result from research. In addition his entire opinion was "anti" and boiled down to mainly contradicting words of the inventor. Another matter that hit my eyes in this report, was that everything was in it "polite" and deprived facts. Means the program said nothing about 60 years of continuous blocking the factory production of this heater, nor about the breakthrough character of the invention itself. Furthermore in this report I was hit by the different design of the heater that was demonstrated in it. I explained to myself this different design that probably Mr Davey not long ago managed to break in himself the impasse, the giving up, the discouragement, and the depression which I noticed in him in years 1990 to 1992 in the matter of constructing experimental prototypes of these heaters, and that he again started

to improve his invention solving this problem of electrocuting - which previously was the reason for an official blocking of the factory production of this heater. The useful for me information of this report was that it implied that Mr Davey most probably still lives in Christchurch.

Because soon I was about to go to Christchurch for the wedding of daughter of an acquaintance, I immediately decided that the next day I am going to find the address of Mr Davey in order to be able to see him during my stay in Christchurch. This is because already for a long time I had the web page [free energy.htm - about telekinetic generators of free energy](#), in which, amongst others, I also described his heater. Thus a possible meeting with Mr Davey could provide me further findings and data about this extraordinary heater. These in turn could help me prepare this web page entirely devoted to this outstanding invention and its extraordinary fate. So the next day I went to the post office in order to find the address of Mr Davey from a telephone book of Christchurch. But it turned out that he was unlisted in the telephone book, similarly as he was NOT listed in 1998 - when for the last time I tried to contact this genius inventor. (Later I learned that he has a telephone, but he has reserved that his number is unlisted in the telephone book.) Then I recalled that in New Zealand address of every citizen of the country is also provided on a special list of people entitled to voting, which is called the "Parliamentary Electoral Roll". This list can be found in practically every larger public library. So from the post office I went to a library and I searched through lists from all the "Parliamentary Electoral Districts" for the Christchurch city. The name and address of Mr Davey I found on page 47 of such a roll published in 2007 and prepared for the Parliamentary Electoral District called "Christchurch East". I also noticed with a surprise that his address remain unchanged and still is exactly the same as I remembered it from years 1990 to 1992. Because in 1998 just at this address I saw the demolition of the house of Mr Davey, I come to the conclusion that probably in the meantime he build himself there another house on the place of the previous one and now he lives in this new house.

After the arrival to Christchurch at the beginning of February 2008, I firstly intended to visit Mr Davey, and only then drive to my friends - for the wedding of the daughter of which I arrived to Christchurch. The point was that during my stay in Christchurch I intended to complete scientific research and measurements of the heater of Mr Davey. I described these measurements in item #E3 below on this web page. The intention of completing such measurements I had since 1990. But never before a working prototype of this heater was available which I could measure. Of course, in order to be able to effectively carry out such research, I firstly needed to accumulate some initial data about the behaviour and attributes of the heater, and only then I could think about manners of effective carrying out its major research.

The house of Mr Davey I found without any difficulty. After all, I still remembered where this house is located from the period of my visits in years 1990 to 1992 - when I kept contacts with Mr Davey, and from the period of these memorable visits in 1998 - when I saw a gradual demolition of this house. I arrived to the house just before evening. The first thing that hit me over there was the house looked almost exactly the same as it looked in years 1990 to 1992. This in turn means, that in order it could look like that, after I saw it demolished in

1998, it needed to be shifted back in time, while its demolition needed to be intentionally eliminated in the new elapse of time. So knowing that people are unable to carry out such a shifting time back, because people still do NOT have devices described in items #C6 to #C6.1 of the web page [timevehicle.htm - about time, travel in time, and time vehicles](#) and in the web page [immortality.htm](#), this almost original appearance of the house become for me a first warning sign that the matter of the "sonic heater" was for probably very vital reasons reopened by intelligence discussed in part #F of this web page.

Mr Davey shared his flat with around 50 years old son also named Peter Davey (not present that day). After entering the flat I discovered that it only roughly looked similarly to as it looked in 1990 to 1992. But in fact it was changed in several vital details. For example, completely was lacking in it this separate room in which in years 1990 to 1992 Mr Davey stored (and show to me) materials which he previously accumulated for undertaking the factory production of his heater. In the building was also NO space for this room. I personally had a feeling in this flat, as if it was just a simplified copy, or a model, of the original home of Mr Davey, prepared by film makers just for satisfying needs of making a film. At the moment when Mr Davey come out from his bedroom to see me, I asked him whether he recognises me. He denied. So I reminded him that in years 1990 to 1992 we kept in touch in connection with his invention of the heater. He again was unable to recall anything on this topic. I had a fast though whether this lack of memory and inability to recognise me is the result of his age, of the fact of automatic erasure of the entire previous memory which takes place in every case of a technical shifting back time of some other person - as this is described in more details in subsection #B1.1, while illustrated on the example of the film "Groundhog Day" in item #C8.1, of the web page [timevehicle.htm - about time, travel in time, and time vehicles](#).

After the initial polite conversation and documenting to Mr Davey that I know a lot about his life and invention, and after explaining him that in past I promised to promote his invention with all means that are available to me, I asked him to show me the "sonic boiler". I wanted to carry out some initial identification research about its attributes and behaviours. After all, when I later processed this in my mind, I could work out and plan the programme of basic scientific research on this heater. Mr Davey enthusiastically show me the the heater, demonstrated to me the operation of it, allow me to have a good look at it, pose to photographs which I am showing on this web page, and also willingly answered on my questions which I asked him. Results of these initial identification research of his heater I presented in item #E2 and on "Fig. #E2" below.

Until that meeting with Mr Davey I explained to myself that the working heater which he had and just demonstrated in TV was a relatively new prototype which he build relatively recent in order to introduce further improvements to his invention. However, at the moment of this our meeting I have learned one more secret of this "sonic heater" - namely that a model of it was "returned" to him by some acquaintance to whom this model was given by Mr Davey in old times when the inventor was still producing prototypes of his heaters. This information shock me. After all it reassured me about the correctness of my suspicions, that in the matter of that heater is interfering the intelligence described in item #F of this web page. As I already knew well, Mr Davey ceased completely the

production of research prototypes of his heaters as long ago as before 1990. So if someone had such a working prototype - then he must got it from Davey a long time before the year 1990. But in years that preceded 1990, the design and material of heaters of Mr Davey were completely different - as this is shown on the photograph from "Fig. #B1". So how it is possible that "returned" to him was the heater of a different design and materials from heaters which he used to give away in past. I am NOT going to comment here the fact, how highly altruistic would need to be this acquaintance, since he "returned" a heater in a perfect working order which (the heater) was serving him probably for NOT shorter than 20 years, which displayed all these wonderful user valour that I described in item #E5 below, and which was so unique design at the world's scale that to have it in possession many people and companies would be prepared to pay a fortune.

Because it was already an evening, while I was in a hurry to meet my friends for the wedding of the daughter of which I arrived to Christchurch, the initial identification of attributes and behaviours of the heater described above was very brief - just lasting several minutes. In order to do later main part of research and scientific measurements of this heater - which I described in item #E3 below, I make an appointment with Mr Davey two days later on afternoon. Mr Davey enthusiastically agreed for this our future meeting. At the good bye he gave me a copy of the issue of newspaper "The Press", which contained the article published about his invention. I accepted this gift, because Mr Davey show me that he has several copies of this particular issue of the newspaper.

After the rushed return to the hotel I left the newspaper in my room, intending to have a look at it only after my return from the home of my friends. Then I locked my room and went for the meeting. But when in the evening I again reached to this newspaper, it turned out that the entire part A of it is missing, while the article about Mr Davey's invention was in that part A. Strangely, I had an impression that Mr Davey gave me a complete newspaper (although, unfortunately, I did NOT check earlier whether it is really complete). (In order to still be able to read this article, a next day I was forced to go to the public library in Christchurch.) When, after reviewing this newspaper I went on the corridor of the hotel, not far from my room I noticed a male dressed exactly the same as I was dressed. This male completely without moving his legs floated across the corridor and disappeared into the wall. During my examination of the area of the wall in which I saw this man disappearing, I discovered in there a small (locked) compartment with miniature doors that reached just to my belt. The hotel was almost a new one, so it is difficult to suspect that I saw a ghost in it. So I rather come to a conclusion that the male was one amongst these temporary "simulations" to which creation is capable the intelligence described in item #F of this web page. Probably being dressed exactly as I was somehow needed in that situation. Seeing this man, and also the probably disappearance of a vital part of the newspaper from a locked hotel room, additionally reinforced my suspicion that the matter of the heater that I examined that day is extremely important.

Two days later I rang to Mr Davey to make sure that still is on our previously agreed meeting for carrying out the main part of research and scientific measurements of the "sonic boiler". But Mr Davey make me worried by informing that just while before he had a slight heart attack and that he still feels no so well, so that he is unable to participate in this meeting. He also informed me by the

telephone that in the meantime he had the opportunity to read thoroughly my web page [free energy.htm - about telekinetic generators of free energy](#), the full copy of which was provided to him by the author of that article in "The Press". (On this web page I promote his heater and describe extraordinary fate of it since 25 May 2003 - as I earlier promised him to do.) He also tried to convince me, that probably in 1998 I saw the demolition of a different house than his one. I did NOT argue with him on this subject. This is because i know from the experience that one needs to have a significant luggage of own sightings about the possibility of shifting time back with the use of [time vehicles](#), to be able to accept a shocking fact, that events from the past that already took place still can be reversed if one has an access to time vehicles. Because I was unable to meet Mr Davey that day, I explained to him that after staying in Christchurch for three days, I am going for a week long trip around the entire South Island of New Zealand. I also proposed that I will return to Christchurch in a week of time. So we agreed to carry out the main research and scientific measurements of his heater in a week of time when I am again in Christchurch. When I was talking with him through telephone, I heard this characteristic clicking noise which typically sounds when to a given telephone line someone third connects to listen to the conversation. It it looked as that someone was highly interested to either learn the content of my private conversation with Mr Davey, or also let me know that every my word is listened to and probably even recorded on a tape.

For the next week I travelled around the South Island of New Zealand. Amongst others I had a look at the [Tapanui crater](#), and also visited other places and acquaintances that I know from my previous research on the [mysteries and curiosities of New Zealand](#). When after a week of time I returned to Christchurch, from the motel I rang in evening to Mr Davey to make an appointment for our meeting a next day for carrying out the main research and scientific measurements of his heater. When I talked to him, again I heard these characteristic clicking noises - as if someone third joined to listen to our conversation. Mr Davey this time was already healthy. But in the meantime he developed strong doubts about the need for carrying out scientific research and measurements of his heater. Because he was seemingly convinced that there is no need for such exact research and measurements of his heater, he cancelled during the conversation our meeting planned earlier. Making most from this conversation, and suspecting that probably this is the last contact that I had with him, I asked him several questions to which he replied with a visible reservations and only partially. In his replies he make an impression that in fact he is NOT sure what is the correct reply to these questions. Amongst others I asked him about details of the person who "returned" to him the present model of the "sonic boiler", and I asked whether he remembers exactly when and in what circumstances he build the present model of the "sonic boiler" and gave this model to that person. I also asked how he explains the fact that the "sonic boiler" according to my understanding is constructed of aluminium, while he always stressed to me that the only material that is suitable for the construction of bowls of this heater is the stainless steel. Finally I asked him whether he had any feedback from the article that appeared in "The Press". To this last question he replied that several people rang him in this matter - some of these even from as far as the USA. This again make me wonder. After all, I knew that the article did

NOT provide his telephone number, and that his number was restricted and unlisted in the telephone book of Christchurch. I also know from the experience that the reporter who wrote the article would NEVER give to anyone the unlisted telephone number of Mr Davey. After all, the disclosing this number would run against the "Privacy Act", which in New Zealand is pedantically obeyed. Furthermore, the finding of this reporter in order to ask about the telephone number, would NOT be so simple and easy for someone who lives e.g. in the USA (means who do not know the life of New Zealand), even if the reporter would be prepared to disclose the unlisted and restricted number. So is it possible that all this ringing to him was just "simulated" in order to cause the effect of "abandoning his own search for interest", by making an impression of a world-wide interest - as I described this in item #E4.1 below.

A next day I continued my return trip home, without any further contacting Mr Davey.



Fig. #E1: Another photograph of Mr Davey who demonstrates to me the operation of the "sonic boiler". This photo complements the photo from "Fig. #A1". (Click on the above photograph to see it enlarged.)

The boiler shown above clearly differs from the immersion heater shown before in "Fig. #B1". For example, in my opinion the external sphere is made of aluminium, and this sphere has the form of a completely closed ball. In turn such a closure of this sphere on one hand eliminates the drawbacks of the design of previous "immersion heaters" of this inventor - which (the drawback) depended on the danger of electrocuting of users of these devices. On the other hand this completely closed sphere disallows seeing what hides inside of the boiler (and thus also checking the principle of operation of these devices), and makes highly difficult the required sonic tuning of this boiler. In turn without appropriate sonic tuning this boiler refuses to work.

It is also worth to take notice of the **age of Mr Davey** that holds this boiler. On the day of taking the above photograph he was already after his 92nd birthday. All facts seem to indicate, that such long life was the outcome of drinking the telekinetised water produced by the boiler discussed here during boiling this water on principles of telekinesis. More about the **water of**

life produced by the boiler discussed here is explained in item #E6 below.

#E2. What I noticed during this brief (several minutes long) preliminary examination in which Mr Davey demonstrated to me the operation of the "sonic boiler":

When I contacted Mr Davey in 1990 to 1992, he did NOT have a working prototype of his immersion heater. (The last such a prototype that he produced was spoiled some time before my contacting him.) So I was unable to examine this heater at work. But in our meeting at the beginning of 2008, the inventor just had a working "sonic boiler". So he demonstrated to me how it works. In this way he allowed me to notice several interesting features and behaviours of that device. I am describing below the most vital of these features, and interpreting their meaning and significance.

(1) The "sonic boiler" boils water immediately after it is submerged in this water. In case of using any other water heater, the water receives heat from the heater on principles of the "conduction of heat". This in turn means, that no matter what is the energy yield of the heater, in these other methods of heating always some period of time must pass, before the thermal energy shifts from the heater to the water. In the result, in every other kind of heater, water boiled with a clear time delay. However, in case of the "sonic boiler" the entire volume of water began to boil almost instantly after the boiler was inserted into the glass with water. The time that elapsed between submerging this boiler in the water, and the moment when the water reached the state of a full-blown boiling, was at the level of seconds. Thus, the boiling looked almost like the phenomenon of forming gas bubbles during the production of so-called "soda water" that I used to carry out in my childhood, and which depended on pouring a bit of vinegar to a glass of water and then putting a bit of kitchen soda powder. Means, after the "sonic boiler" was inserted in water, the entire volume instantly began to form miniature bubbles of steam, which (the bubbles) in the first stage after floating to the surface formed a "layer of transparent foam" above the surface of water. (This "layer of transparent foam" is visible on the photograph from "Fig. #E2b".)

(2) The "sonic boiler" boils water simultaneously in the entire volume of this water. Means, after this boiler is submerged into the boiled water, immediately the entire volume of this water generates miniature bubbles and the entire water begins to boil.

(3) Practically all phenomena which we get to know during the use of classical electrical heaters of water, for the "sonic boiler" have a completely different course. Thus e.g. research of this boiler must apply a different technique and principles than research of classical electrical heaters of

water.

(4) The "sonic boiler" is exceptionally safe in use. Namely, to its external (spherical) buffering bowl - see (2) on "Fig. #B2", always connected is zero (ground) wire of the electricity supply. Therefore voltage that supplies this boiler does NOT electrify the water that is boiled. So the user can freely touch both the surface of the boiler plugged to the electricity, as well as the water boiled, without being electrocuted.

For a curiosity I touched both the boiler plugged to the power means, as well as the water which this boiler was heating. During this touching I felt NO electricity-induced sensations. Interesting in this experiment was, that in spite of being connected to electricity and ready to boil water, the "sonic boiler" was NOT hot at all (as it would be the resistance heater connected to electricity). The heating of the boiler only takes place when it boils water - and thus it takes on itself a part of heat from the water. But immediately after it is taken out of the water, the boiler cools down.

In fact, when the safety is concerned, the "sonic boiler" is much more safe from all other heaters known on the Earth. For example, as it is explained in item #E5 of this web page, it is unable to cause a fire even if one leaves it without a supervision and allows the entire water to boil out (evaporate). This is because when this boiler is NOT submerged in water it ceases to generate heat.

(5) The "sonic boiler" boils any amount of any liquid that is based on water. Otherwise than this is the case with all other boilers which have their limits for the smallest amount of water that they are able to boil, the "sonic boiler" boils every amount of water. In fact it is able to boil even water from a spoon. As such it promotes saving of electricity, as it allows to boil only that amount of water which is just needed. Furthermore, this boiler is able to boil any liquid, not just a pure water. In this way it allows e.g. instant boiling cold cacao, or coffee after the powder is dissolved in a glass of cold water or milk.

(6) The "sonic boiler" changes physical attributes of water that it boils. This telekinetic change of physical properties of water is described more comprehensively in item #E6 of this web page. The change of attributes of water manifests itself, amongst others, in this that bubbles formed during boiling with this boiler are permanent and do NOT disappear as fast as in boiling with other methods. Furthermore, the sound of water boiled with this boiler is completely different than in boiling with normal methods. I suspect also that the longevity of the inventor, highlighted in the caption under "Fig. #E1", is also the outcome of this change of attributes of the water being boiled.

(7) The "sonic boiler" in the technical version shown here has a similar consumption of energy as every other heater of water (in spite that in the version shown in "Fig. #B1" it apparently consumed almost zero electricity). As I illustrate and explain this in "Fig. #E2" below, the "sonic boiler" in the technical version described here in my estimates does NOT show any lesser consumption of power than other (classical) kinds of heaters for water. This in turn stands in a clear disagreement with outcomes of official research of the "immersion heater" shown on the photograph from "Fig. #B1". After all, the "immersion heater" supposedly was researched by "experts" and supposedly clearly demonstrated then the lack of electricity consumption while it generated heat. It is just because of this "normal" consumption of energy by the "sonic

boiler", in connection with the mysterious circumstances in which this boiler was "returned" to Mr Davey, I personally believe that it is a kind of the **Trojan Horse** which via a trick very similar to the trick described on the web page [memorial.htm - about methods of cunning undermining of evidential value of objective photographs](#) is aimed at the discouragement of possible people interested in this heater for the undertaking a factory mass production of it. My reasoning about the principles on which this trick can be based is described in item #E4.1 below.

* * *



Fig. #E2abc: The operation and consumption of electrical energy by the "sonic boiler". Here are three photographs of the "sonic boiler" photographed in various phases of boiling two different amounts of water in a glass of a typical size (i.e. capacity of around 0.25 litre). Please notice that the power supply to this boiler is carried out through an Amperometer. Thus each photograph shows the power consumption in the phase of boiling that a given photo registered. As it can be seen on the above photographs, the energy consumption by the "sonic boiler" shown here is rather similar to energy consumption conventional heaters made of resistor wires. (Click on the above photographs to see them enlarged.)

I should explain here that such a "normal" consumption of electrical energy, which is agreeable with laws of classical physics, supposedly was not revealed during research of the original boilers of Mr Davey shown in photograph from "Fig. #B1" above. This fact, in connection with mysterious circumstances in which the "sonic boiler" was "returned" to Mr Davey, suggest that the boiler shown here probably is a kind of **Trojan Horse** developed especially to support other methods of suppression of the factory production of this boiler - as this is described in item #E4 of this web page. After all, the intelligence described in part #F of this web page, is known to use various "tricks" and "fabrications" to spread

confusion amongst people. One such a "trick", which also boils down to the principle of "Trojan Horse", is described comprehensively on separate web page [memorial.htm - about methods of cunning undermining of evidential value of objective photographs](#).

Fig. #E2a (left): A photograph taken in the first phase of boiling a small amount of water in a standard-size glass. This photograph documents, amongst others, that the boiler described here is able to boil any amount of water in any dish, in this also the amount so small, that it just allows to submerge a section of the boiler, while the remaining section sticks out above the surface of water. In case of the use of heaters made of resistance wires, the boiling of such a small amount of water would finish with the overheating of the boiler, and thus with burning it out.

The energy supplied to water in this first phase of boiling must satisfy the consumption of energy for raising the temperature of water that results from "specific heat" of this liquid, and also must satisfy the consumption of energy for a simultaneous evaporation of this water resulting from the "specific evaporation heat". Amperometer captured on this photograph indicates the consumption of the current amounting to around 5 Amperes. For a typical voltage of electricity supply this means that the "sonic boiler" just consumes around 1100 Watt of electrical energy.

Fig. #E2b (centre): A photograph taken in the first phase of boiling in a glass around twice more water than in "Fig. #E2a". The interesting fact captured on this photograph is that the "sonic boiler" boils water instantly in the entire volume, and also that immediately after the boiler is placed in water the entire volume of water begins to form miniature bubbles of transparent vapours.

The interesting aspect which is revealed by the above photograph relatively well, is that water boiled with the use of this boiler changes its physical parameters. Namely, bubbles of water vapour formed during the boiling do NOT break after emerging at the surface - as this takes place in normal water heaters. In the boiler shown here these bubbles become more permanent and form a thick layer of transparent foam above the boiled water. This foam looks similarly like foam above beer poured to a tankard. Only that it is transparent. The thick layer of this foam is visible relatively well above the surface of water from the above photograph. I personally believe that this change in physical attributes of water boiled by the "sonic boiler" results from the telekinetic principles of operation of this boiler. Namely this boiler not only boils water instantly in the entire volume, but it simultaneously telekinetises this water in the entire volume - as this is described in item #E6 below.

The energy supplied to water in this phase of boiling must satisfy the consumption of energy for raising the temperature of water that results from "specific heat" of this liquid, and it also must satisfy the consumption of energy for a simultaneous evaporation of this water resulting from the "specific evaporation heat". Amperometer captured on this photograph indicates the consumption of the current amounting to around 8 Amperes. For a typical voltage of electricity supply this means that the "sonic boiler" just consumes around 1800 Watts of electrical energy.

Fig. #E2c (right): The photograph taken in the second phase of evaporation from the glass the same amount of water as in photo "Fig. #E2b" - means around

twice as much as the amount of water from the photograph "Fig. #E2a".

On the above photograph it is worth to take notice of the large transparent like "bubbles" formed permanently above the surface of the rapidly boiling water. On this photographs the bubbles look like above the water were large pieces of ice. These permanent bubbles prove that boiled water changes its physical properties. In turn the only change that the boiler working on principles of telekinesis is able to introduce, is the telekinetisation of this water. Thus the bubbles captured on the above photograph are another illustrative evidence (next to the longevity of the inventor of this boiler) for the correctness of the conclusion discussed in item #E6 of this web page, namely that the boiler produces the telekinetised **water of life**.

The actual change of properties of water boiled by the boiler discussed here indicates also a different sound produced during boiling with this boiler. Namely, water does NOT gurgle in the same way as it does when boiled in a traditional manner, but produces a sharp sounds similar to shooting or to blowing the air through a straw to a mixture of water and soap used for generation of large soap bubbles. This different sound of boiling with the boiler described here, in February 2008 could be heard after one clicked onto the link to video showing this boiler, which link entitled "Watch audio slideshow of Peter Davey" existed on the web page <http://www.stuff.co.nz/thepress/4379593a6530.html> which contained the article about Mr Davey and his boiler.

The energy supplied to water in this phase of boiling must satisfy only the consumption of energy for evaporation of the boiling water - i.e. satisfy the consumption that result just from the "specific evaporation heat". After all, the temperature of water in this phase probably stabilises at 100 degrees Celsius - means water should NOT consume energy for its "specific heat". The Amperometer captured on this photograph indicates the consumption of the current amounting to around 3 Amperes. For a typical voltage of electricity supply this means that the "sonic boiler" just consumes around 700 Watts of electrical energy.

#E3. Research and measurements which I planned to complete on the "sonic boiler":

The most important goal for which I tried to research thoroughly the "sonic heater" was to determine whether this heater is so-called "free energy device", means whether its energy efficiency is exceeding 100% (or - as in all classic electrical heaters, this efficiency is below 100%). After the initial identification research I determined, that the most easy and the most exactly this energy efficiency can be determined through making the so-called "energy balance" for a small (known) amount of water being evaporated by this heater. This is because if we know how many water was evaporated, in what time, at what consumption of the power, and at what temperature, then it odparowane, w jakim czasie, przy jakim poborze is possible to determine relatively well the amount of electrical energy consumed by this heater for the evaporation of the water, and the amount

of thermal energy that escapes with the steam (or the stream of supplied electrical energy and the stream of escaping thermal energy).

In turn making an energy balance and the determination of the energy efficiency of this heater during the process of water boiling - as normally this is done with conventional heaters, turns in this case very difficult. The reason is very short time of boiling (just a few seconds) - which is very difficult to measure accurately, and the instability of the entire process of heating. After all, in the heater discussed here all parameters of work of this heater continually change during the boiling of water.

In order to be able to measure exactly the efficiency of this heater through the measurements of the evaporated water, one needs to measure: (a) the intake of electrical power by the heater (i.e. Volts and Amperes) that takes place in the stable state of full boiling of the water, (b) temperature of the steam that escapes from the boiling water, (c) amount of water that was boiled out (turned into the steam), (d) time of boiling a given amount of water that caused a measured amount of steam to escape. In order to make such measurements a minimal number of measuring equipment is needed, namely just: a Voltmeter and Ampere-meter, thermometer, stop watch, and a measure for volume of water.

A possible error in making the energy balance for this heater could take place if the "sonic heater" through appropriate selection of materials and resonance frequencies was so designed that instead just do a work of boiling and evaporation of water, it also additionally carry out the dissociation of water into oxygen and hydrogen. Therefore independently from measurements of the energy consumption by this heater, it is necessary to carry out experiments which are to check whether the heater causes the escape of just steam from water, or also emits hydrogen and oxygen. This checking can be carried out e.g. by bringing a burning match to the vapours (or gases) that escape from water boiled by this heater. If in this vapour a significant percentage of hydrogen and oxygen is contained, such a burning match should initiate their burning (means create a noise of the "puff" type). Otherwise the match should be simply extinguished by the wet blow of the steam. Of course, the experiment with the burning match is just a simplest experiment possible for carrying out. Other experiments can include, e.g. accumulation of these gases above the surface of a glass turned upside-down and initially filled with water, to check whether after cooling down these gases simply disappear (i.e. whether the condensing steam is going to suck water back into this glass on the same principles as this was done in past by "placing suction"). People with advanced knowledge of chemistry can also catch gases that escape from the boiling water and subject these gases to chemical analysis that determined their composition.

#E4. For what reasons I personally believe that the "sonic boiler" is a kind of "Trojan Horse" which with the aid of a trick is to

further suppress an industrial implementation of the invention of Mr Davey to a mass production:

With the "sonic boiler" described here is linked a whole array of extraordinary circumstances. Some amongst these circumstances are on the border of "supernatural". Let us list here the most vital out of such circumstances:

(1) The publishing of information about the "sonic heater" was carried out in such a clever manner that later can be claimed that the knowledge about this boiler is NOT kept secret from the society, but simultaneously there is a minimal number of people who learn about this boiler. For example, the article about this boiler appeared hidden deeply on page A13 of the local newspaper from Christchurch, named [The Press](#), issue dated on Wednesday, January 30, 2008. This newspaper has a limited circulation and is read mainly by people living in the city Christchurch and in vicinity of that city. In turn the report from television news TVNZ 1, on 30 January 2008, was broadcasted only one day (Wednesday) at 11:00 p.m., means at the time when the majority of working people typically sleeps. So even myself, in spite that I do NOT work, also almost missed it because at the time when it was broadcasted I usually sleep.

(2) The "sonic boiler" was "returned" to Mr Davey in quite mysterious circumstances. Mr Davey definitively ceased the production of his heaters a long time before 1990. So we must hypothetically assume that this someone received a model of his heater when it still was produced for research. Why then such someone "returned" to Mr Davey this heater after over 20 years? And in spite that the heater displays all these wonderful advantages that are described in item #E5 below, as well as in spite that Mr Davey quite clearly does NOT remember now the circumstances when he build this particular heater and gave it to this someone. I should NOT even deliberate here the fact that the boiler which is so useful and so intensely exploited (as this is indicated by its worn paint and its used appearance), similarly as everything else in our physical world, also is subjected to accidents and wrong treatment. Thus until today it should be accidentally broken or burned out. After all, in spite of its "indestructibility", every other original heater of Mr Davey was burned or accidentally destroyed after just several years of use. Thus it is difficult to agree with the level of the use of this heater that is documented on photographs, with its still perfect operation until the present day. Unless we assume, that this level of use was somehow fabricated intentionally (i.e. that the heater was especially produced by someone that it looked as if it is old and used.)

(3) The "sonic boiler" uses a different design and materials that heaters produced by Mr Davey. For example, according to my understanding bowls of the "sonic boiler" are produced from some aluminium alloy - although I had no possibility to conclusively research this matter. This is because the bowls look like they are made of an aluminium alloy, when I knocked them with my finger they produced a sound of an aluminium alloy, and they caused that the entire heater was surprisingly light - just as if it is made of aluminium. On the other hand

all original heaters of Mr Davey I know of, and also all parts which in 1990 Mr Davey demonstrated to me accumulated for undertaking the mass production of that heater, had bowls made of stainless steel. Also when our telephone conversations I directly asked Mr Davey about the material from which this heater is made, he claimed that the bowls were made of stainless steel.

(4) The "sonic boiler" has solved the problem of electrocuting the user, which was a major excuse on the basis of which bureaucrats blocked in past the permit to undertake a factory production of this heater. Until the year 1992, the major reason for which the permit for undertaking the factory production of that heater was blocked, was that the heater in the version shown on "Fig. #B1" and "Fig. #B2" allowed the user to touch the resonating bowl that is supplied with electricity, and thus it allows the electrocuting the user. But when the heater shown in this part #E was "returned" to Mr Davey, it contained already the solution for this electrocuting problem. However, I personally believe, that Mr Davey did NOT solved this problem. After all, he ceased the production of his heaters completely still before the year 1990. In turn until that year 1990 his heaters were constructed to the model shown in "Fig. #B1" and "Fig. #B2".

(5) A few months before the program about the heater of Mr Davey was broadcasted, several anonymous persons were contacting me claiming that they build this heater. Highly intriguing in these contacts turned out one detail. Namely, a person asked me whether there is any reason that would result from principle of operation of this heater, for which (the reason) Mr Davey did NOT use in his heater the spherical and completely closed buffering bowl. Then in the television report I saw just such a closed completely buffering bowl present in the model of the heater that someone "returned" to Mr Davey.

(6) The "sonic boiler" documents the use of technology of manufacturing which was so advanced that it could NOT be available to Mr Davey in times when he produced these heaters. For example, this heater has a spherical and completely closed buffering bowl (see the bowl (2) in "Fig. #B2"), which (the bowl) makes more difficult, if not completely impossible, the sonic fine tuning of that bowl. Furthermore, this bowl was welded in quite a highly professional manner. In turn such a professional welding lied beyond technical capabilities of the "cottage" production of Mr Davey - especially if this bowl is actually made of aluminium. (As some readers probably know, aluminium and its alloys are extremely difficult for welding.)

(7) During my attempts to research and scientifically measure this "sonic boiler" events took place which can also be interpreted as someone's hidden actions aimed at making this research impossible for me. These events could easily be induced by someone's hidden activities. For example, before the first date when I make an appointment with Mr Davey for researching and measuring his heater, he experienced some form of a "heart attack" that make impossible the completion of research on this heater. In turn when I contacted him again a week later, he was clearly convinced by someone that there is NO need for measurements and for research of this heater. This conviction that research are unnecessary Mr Davey demonstrated in spite that during the television report about his heater some outside opinion giver repetitively contradicted claims of the inventor, without basing this contradicting on any specific research of this heater.

(8) When I talked with Mr Davey via telephone about the "sonic boiler", I repetitively heard characteristic "clicks" which typically are sign that someone third joined the connection in order to listen to it. From these "clicks" I gather that the telephone of Mr Davey was then under someone's discrete surveillance. This in turn means that a mysterious someone has some interest to know everything in the matter of this heater, and that the matter of this heater is NOT subjected just to a random course of events.

(9) On my own eyes in 1998 I saw the destruction of the building in which Mr Davey lives, but this building again existed in almost the original appearance in 2008. This in turn means that there was a vital reason for shifting time back and returning this building to the existence.

(10) The intelligence described in part #F of this web page, have a long tradition in blocking our civilisation from implementing technologies that are based on the phenomenon of technical telekinesis. For example, as described in subsection K2.3.1 from volume 10 of [monograph \[1/4\]](#), this intelligence blocked also the dissemination of the technology of telekinetic "thesta-distatica" which already produces free energy, but which is closed to the outside world by the Swiss religious community named Methernitha.

* * *

The above circumstances are extremely meaningful. It is difficult to suspect that these are just "coincidents". Furthermore, these are "complemented" by several highly significant events that took place before. For example, these are complemented by events described on the separate web page [memorial.htm - about method of cunning undermining of evidential value of authentic photographs of UFOs](#). These meaningful circumstances are also complemented by events described in part #C of this web page - when were used all possible methods of administrative pressure to prevent the factory production of the invention of Mr Davey.

While having in mind these meaningful circumstances that accompanied the reappearance of the "sonic boiler", and also considering other events which complement these, I personally believe that the "sonic boiler" described here is in fact a kind of the "Trojan Horse" which was intentionally introduced to our civilisation in order to additionally extend the blocking of Mr Davey invention from the factory production. According to my opinion, the model of the "sonic boiler" shown on photographs from "Fig. #A1", and also "Fig. #E1" to "Fig. #E3", was NOT produced by Mr Davey. Expressing the above in other words, in my personal view **the "sonic boiler" shown here in fact represents a technology that was intentionally fabricated to discourage all interested people to the factory implementation of this invention and so designed that in every aspect it forms a wrong opinion about the real invention of Mr Davey.**

I can only speculate what could be this plan of action or a "trick" with the use of which this time someone tries to accomplish a further delay in the putting this invention to a mass production. (Outcomes of my speculations on this subject are provided in item #E4.1 below.) Therefore people who wish to implement this heater to a serial factory production should be prepared mentally to the avalanche of unexpected obstacles and problems. In turn the remaining readers of this web page I encourage to realise on the example of fate of this heater that the "curse of inventors" is not just a myth, but it actually operates on the Earth. In

turn, one amongst countless evidence of the secretive operation of this curse on the Earth, is the fact that in spite that already is available for the examination a working model of this heater, and that I am willing to provide consultations as to how to build and research it, and also in spite that already so much is known about its design, operation, attributes and history, this heater for a very long time we are not going to have in our shops. Probably also we will hear many times that someone wishes to implement it for the factory production, but for some mysterious reasons he still is unable to accomplish this.

* * *



Fig. #E3: An example of highly refined technology used for the production of the above "sonic boiler". In this case illustrated is the technically almost perfect welding of the cap to the bottom of the "buffering hemispherical bowl". Such a welding in "cottage industry" conditions which were in the disposal of Mr Davey is almost impossible - especially if the bowl was made of aluminium. (Click on the above photograph in order to see it enlarged.) Such a refined technology was NOT in technical capabilities of Mr Davey in times when I kept in touch with him. After all the professional welding of a complete sphere is one amongst most difficult technical tasks. Especially when this sphere is erroneously welded from alloy of aluminium. This is why I personally believe that the above heater represents a technology that was purposely thrown as a kind of the "Trojan Horse". In turn the "trick" of the use of this "Trojan Horse" allows probably to continue the blockade of the industrial implementation of this heater to a mass production - only that this time with the use of a different methods than the previous application of bureaucratic obstacles described in part #C of this web page.

#E4.1. Let us speculate how possibly the "curse of inventors" may use the "sonic boiler" as a kind of "Trojan Horse" to further suppress and delay the industrial implementation of this boiler to a mass

production:

All circumstances suggest that the "sonic boiler" described here was in fact intentionally thrown at us in order to work as a kind of a "Trojan Horse" that delays and blocks the factory mass production of the advanced technology that this heater represents. Thus in our vital interest lies to identify manners on which this heater is to work just as such a "Trojan Horse". After all, if we manage to identify these manners, then it become much easier for us to overcome them and to build the heater. Here is my reasoning as to what could be possible manners in which this heater is to act as a "Trojan Horse". (I call it reasoning, although in reality it is difficult to predict how the intelligence described in part #F of this web page is going to use the "sonic boiler" for further blocking the factory production of it. After all, the way of thinking of it is drastically different than our way of thinking.)

(1) The existence of the "sonic boiler" probably is to discourage other hobbyists to replicate the invention of Mr Davey. The human nature is such, that the awareness that someone already has a working device, always discourages the reinventing of the same device. After all, such reinventing of something that already exists is a proverbial "forcing the open doors". Therefore inventors who without the existence of a working prototype of this heater would probably initiate efforts to invent it again, this time will put aside attempts towards such a reinvention until the time when they are able to see it or to buy it in shops - while such a time is to never come.

(2) The existence of this boiler allows to generate an "apparent interest" which is to discourage the effort of seeking a true interest. Means someone could repetitively ring to Mr Davey and make an impression on him that there is a progress in the implementation of this boiler. However in reality NOTHING was going to be done, but just a hidden delay was carried out. In turn this "apparent interest" neutralised possible attempts to find someone who would really wish to implement this heater to a mass factory production.

(3) The having this boiler, and the "apparent interest" which it induces, psychologically discouraged the inventor from assisting other researchers in the constructing it. After all, if the inventor did NOT have any working model of the heater, then he would have a true motivation to support efforts of other researchers to build such a working prototype. But when the inventor had himself such a working prototype, then his psychological attitude was directed towards finding a producer for it, than towards assisting other researchers in reconstructing it and in learning the technology of making it. In turn the searches of the producer can be easily lengthen to infinity. Simultaneously, for as long as a potential producer does NOT manage the technology of making this boiler, the heater in fact is blocked from attempts to undertake its mass production.

(4) The heater that is especially constructed to perform the function of a "Trojan Horse", independently from the useful boiling of water can also implement several further actions which are to be detrimental to its usefulness. If someone build the "sonic boiler" to make it a kind of a "Trojan Horse", then for sure independently from giving to it capability to boil water, he gave to it also several other capabilities which are to turn detrimental to its applications as a heater. For example, he could give to it the capability to

additionally implement the useless for heating the dissociation of water, thus effectively decreasing the energy efficiency of the heater. (Whether the boiler does such a dissociation of water to hydrogen and oxygen, it can be checked with the use of experiments described above in item #E3.) After all, according to other experiments carried out with the telekinetic dissociation of water and described in subsection K3.2 from volume 10 of [monograph \[1/4\]](#), a difference between the telekinetic dissociation of water and a telekinetic boiling and evaporation of water, depends just on the use of different resonance frequencies. The heater described here can also work as a "Trojan Horse" through the telekinetisation of the water with other oscillations than the ones that generate the "water of life" described in item #E6 below. After all, according to what was explained in subsection H8.1 from volume 4 of monographs [\[1/5\]](#) and [\[1/4\]](#), kinds of oscillations which cause the permanent telekinetisation of water also depends on resonance frequencies. In turn the telekinetisation of water e.g. with "transverse oscillations" (i.e. with the "negative green" of radiesthesia) may turn out to be rather unhealthy for people drinking this water. (The excess of the "negative green" in the telekinetised water can be detected with methods of radiesthesia. In turn the health value of the water which is heated by the telekinetic boiler can be checked through giving this water for drinking by animals sensitive to the quality of water - e.g. horses or dogs, or through watering vegetation with it, as this is described for the "telekinetic farming" in subsection NB2 from volume 11 of [monograph \[1/4\]](#).)

(5) The complete closing of the resonance bowl in a spherical buffering bowl makes impossible the checking what is inside of it without the destruction of it. In turn the inability to learn the design and operation of it without destroying it, makes impossible implementing it to a mass factory production even if someone have the only working prototype of it. This is because after it is cut through it stops to work - similarly as this happened with the "amphora from Pakistan" described below in item #E4.2 of this web page.

* * *

The unique situation in which this "return" of the heater placed the humanity, depends on the fact that now we have the heater, but simultaneously we still do NOT have it and still there is no visible point in time when it is going to be implemented to a factory production. In this matter the situation which is created with this telekinetic heater is already identical to the situation that exists with the telekinetic generator of free energy called the [thesta-distatica](#). The "thesta-distatica" also exists well guarded by the Swiss religious community Methernitha, but is still inaccessible for the humanity. What even more interesting, in both cases of these telekinetic devices of free energy, the actual control over what happens to these devices perform the intelligence described in part #F of this web page.

#E4.2. The "amphora from Pakistan", and its meaningful destruction:

At this point I should remind, that the situation created by the heater

described here already existed once on the Earth. During my professorship in Cyprus told me this story my student from Pakistan, in whose family town this situation took place. Namely, since unknown times until 1950s in Pakistan a metal amphora did exist. It lied for several centuries in a stream that flowed through one of palaces in that country. This amphora continually boiled water which washed it, without consuming any energy. Unfortunately it was destroyed by an English scientist in 1950s, who in the name of science convinced the local landlord to see what is inside of it. The scientist cut it apart. It turned out to be empty inside. However, later he was unable to put it back together to make it work. The description of this "amphora from Pakistan" is provided in item #B2 of the web page [newzealand.htm - about mysteries and curiosities of New Zealand](#), and also in item #E7 of the web page [free energy.htm - about telekinetic generators of free energy](#). In turn the principle of operation of this amphora from Pakistan is explained by phenomena described in subsection H6.1.3 from volume 4 of [monograph \[1/5\]](#). According to my estimates, this principle was almost identical to the principle of operation of the telekinetic heater described on this web page. Only that surfaces of it washed up by hot and cool water were additionally looped through the oscillatory circuit with the resonating electrodes of it. Therefore the hot and cold water which washed these surfaces released the action of so-called Seebeck Effect, thus generating on these surfaces electric charges which were needed to supply this amphora in energy required to its operation.

#E5. Advantages of the "sonic boiler" - means why I personally believe that even if this boiler is a kind of "Trojan Horse", it still is worth of an immediate implementation to an industrial production:

In spite that I personally believe that the "sonic boiler" described here is probably a kind of "Trojan Horse" produced by the "alien technology", I am still deeply convinced that this boiler deserves to be implemented immediately into an industrial mass production. This my deep conviction results from the knowledge of numerous useful advantages and hidden potentials of the "sonic boiler". In turn these useful advantages and hidden potentials cause, that in case of undertaking the industrial (mass) production of this boiler, it becomes a kind of commercial "bestseller", bringing high benefits both, to the person who will implement its factory production, as well as to the entire society that is going to use it. Let us list now briefly the most vital application advantages and hidden potentials of the "sonic boiler". Here these are:

(1) The "sonic boiler" bits with its advantages and specifications all

other water heaters in existence. For example, it boils water almost instantly. It is able to boil any amount of water - even as small as that which fits onto a spoon. During boiling of water the boiler utilises phenomena which do NOT cause the burning of substances dissolved in given water. Therefore it can boil e.g. cold cacao, milk, or coffee. It is so small that it is suitable for submerging into a practically every dish. Etc., etc.

(2) From the safety point of view the "sonic boiler" also beats all other boilers and heaters of water in existence. This boiler is absolutely safe. For example, due to placement of the "resonating bowl" (see (1) on "Fig. #B2") - to which the live wire of the energy supply is connected, inside of the spherical and closed "buffering bowl" (see (2) on "Fig. #B2") - to which the zero (ground) wire of the electricity supply is connected, this boiler does NOT threaten with an electrocution. (But, as we realise, users typically can be electrocuted by many other already existing kinds of electric heaters of water). Thus the user can safely touch both the boiler itself, as the liquid that this boiler is just boiling.

Additional level of safety introduces in the sonic boiler the attribute, that in order to carry out heating, it must be submerged in some water-based liquid. It is known that other water heaters can cause a fire if after leaving them without a supervision their liquid boils out completely while their safety switch does NOT work. In turn, for the boiler discussed here, when the liquid boils out completely, the boiler simply ceases to heat and cools down all by itself.

(3) The "sonic boiler" implements the method of heating liquids that was previously unknown on the Earth - as such it has a huge scientific potential. According to my deductions, this boiler releases in the boiled liquid the phenomenon of technical telekinesis - which (the telekinesis) is a reversal of friction. (For more details about this principle of operation see separate web pages of totalizm, e.g. pages [free energy.htm - about telekinetic generators of free energy](#), [telekinesis.htm - about the phenomenon of telekinesis](#), or [dipolar gravity.htm - about the Concept of Dipolar Gravity](#).) Therefore, after the mass implementation of this boiler on the Earth, orthodox scientists who presently refuse to research telekinesis will have no other option but to undertake the rational research of this phenomenon. This in turn will allow humanity to learn about the phenomenon of technically released telekinesis, and thus begin to utilise this phenomenon in a whole range of beneficial applications. Some amongst numerous applications of technical telekinesis include: the propelling of space vehicles of the **Magnocraft** type, remote shifting of objects, healing and telekinetic farming (as this is described in item #E6 below), and many more.

(4) The "sonic boiler" does NOT have moving parts, thus in practice it is "indestructible". So if someone does NOT burn it out or physically break by accident, this heater can effectively work and fulfil its functions practically infinitively long - as this happened with the "amphora from Pakistan" described in item #E4.2 above.

(5) The "sonic boiler" can be designed to be very simple in production - as this is explained in technical description from this web page. Thus practically everyone who can break through the artificially imposed discouragement to undertake the research of this boiler, and who wishes to implement this boiler into an industrial production, is able to accomplish this just on the basis of descriptions from this web page and even with methods of a

"cottage industry". The implementation of this boiler to the mass production does NOT require production of expensive or technically difficult components.

(6) There is a working model of this boiler, while I am ready to advice how to build it and how to introduce it to a commercial production. Everyone who undertakes the production of the boiler discussed here can see how this boiler looks like and how it works. This sighting of the boiler can be accomplished on many different manners, e.g. through ordering from channel 1 of the New Zealand television a DVD disc with a copy of news item about this boiler that was broadcasted on Wednesday, 30 January 2008, around 11:00 pm, or through viewing video-links entitled "Watch audio slideshow of Peter Davey" which in February 2008 were accessible through the web site <http://www.stuff.co.nz/thepress/4379593a6530.html>, that contained the text of the article about Mr Davey and about his boiler. (I should remind here that this article appeared in the local newspaper from Christchurch, named **The Press**, issue dated on Wednesday, January 30, 2008, page A13.) People who undertake the production of the sonic boiler can also count on my consultations.

(7) During heating liquids the boiler discussed here most probably also telekinetises these liquids semi-permanently, giving to them attributes of the "water of life". In turn what is this "water of life", and what attributes characterise it, this is described in item #E6 below.

(8) During the boiling of water this heater also purifies it from trace impurities that the water contains. Thus the water boiled by this heater is extremely pure and healthy. (The ability of the boiler to purify the water was noticed by the hobbyist from Belgium who completed prototypes described in item #G2 of this web page.)

(9) The breaking through suppression that is imposed on the commercial production of the "sonic boiler" is discretely supported by GodHimself. For example, it cannot be just a coincidence that the broadcasting of the news item about this boiler and about the inventor of it (in TVNZ 1 at around 11:00 pm on 30 January 2008), took place shortly before my trip to Christchurch for a wedding of the daughter of friends, planned long in advance. Thus, the broadcasting of this news item on that particular night allowed me to find a next day the address of Mr Davey - in spite that Mr Davey does NOT appear in the telephone book of Christchurch. This in turn allowed me to meet the inventor and preliminarily research the "sonic boiler" so fast, that the "curse of inventors" which suppress this invention, had no time to make this meeting and my preliminary examination of the boiler impossible for me. It is also NOT a coincidence that on the day of broadcasting this news items I did NOT go to bed in my "normal" time, thus enabling myself to accidentally view this report. After all, typically at 11:00 pm I am already asleep. It is also no coincident that at the time when I wrote this item #E5 of the web page, unexpectedly failed the thermostat in my electric jug thus illustratively realizing to me another safety feature and advantage of the boiler discussed here - i.e. that it ceases to work and becomes cold at the moment when the water that it boils evaporates completely. In connection to events described on this web page several further rather extraordinary "coincidents" took place, the nature of which does not allow me to describe these here, but which clearly indicate that in name of the "universal justice" some positive supernatural power (i.e. **God**) make it possible for me to

"mess up a bit the act" of the "curse of inventors" which with the use of some tricks tries to extend the length of time when the invention of the boiler described here is suppressed and blocked from the factory production.

* * *

Because of the immense significance which the undertaking of the factory production of this boiler is going to have for the entire our civilisation, I personally confirm it again, that I am going to continue the implementation of the promise that once I gave to Mr Davey. According to this promise I will do my best to promote the boiler described here and to assist in the implementation of the industrial production of this extremely needed invention. I would also like to remind here, that at present is solved the previous problem of electrocuting of a user - because of which originally this boiler was disallowed to enter a factory production. Furthermore, a prototype of this boiler is available for an examination - and, if necessary, also available are consultations and assistance regarding this invention. Finally this web page contains a sufficient amount of information and photographs that not only a potential producer, but also a devoted hobbyist, should be able to build this extraordinary boiler just on the basis of these descriptions.

#E6. The boiler described here most probably produces "water of life":

Old mythological stories described extraordinary life-giving water, the drinking of which brings to the drinker an excellent health and long life. Most frequently this water is called the "water of life". The scientific "theory of everything" called the [Concept of Dipolar Gravity](#) determined that just such "water of life" is every water which was appropriately telekinetised. A part of this concept explains even how to accomplish the so-called **telekinetic farming** which depends on the increase of productivity and health valour of the food being produced through watering plants with telekinetised water and through giving this water to animals to drink. Descriptions of the telekinetic farming are provided in subsection NB2 from volume 11 of [monograph \[1/4\]](#).

The telekinetisation of water can be accomplished on many different ways. In a natural manner water is telekinetised when it originates from melting of ice and snow. This is why inhabitants of high mountains, who continually drink water originating from melting of ice and snow that is deposited on picks of these mountains, are so healthy and live so incredibly long. It is also to expose people to the action of such telekinetised water that in Poland exists a folklore tradition of so-called **dyngus** - described in item #L1 of the web page [wszewilki uk.htm - about the village of Wszewilki](#). (This "dyngus" depends on water dousing on the Easter Monday with water that originates just from the spring melting of snow and ice.) A simplest manner of technical telekinetisation of water, is to pass it through the focal point of a pyramid. Technical telekinetisation of water, and all other substances, occurs also in areas where [telekinetic UFO vehicles](#) once landed. (An example of photograph of just such a telekinetic UFO that landed on

the ground, is shown in part #E of the web page [explain.htm - about scientific interpretation of authentic photographs of UFOs](#). In turn around 12-times larger growth of vegetation on the ring of telekinetised soil that was left in place of such a landing of telekinetic UFO, is shown on the photograph "Fig. #13" from the web page [newzealand.htm - about mysteries and curiosities of New Zealand](#).)

The interesting side to the boiler described here is that if we could change the principle of operation of the heater described here, so that during its work it does NOT cause the electrolytic dissolving of metals of its spheres in water that is heated (as this is revealed in subsection #G5.3 below), then during boiling water it would probably also telekinetise this water. After all, this boiler utilises the phenomenon of technical telekinesis for the principles of operation. Furthermore, it clearly changes physical properties of water that it boils. So there is a large probability that this boiler would not only boil water, but it would also give to it attributes of that mythological "water of life". The ability of this boiler to give attributes of the "water of life" to liquids that it boils, is already confirmed by the first evidence in form of the longevity of the inventor of it. As I am stressing this in caption under "Fig. #E1", Mr Davey had his 92nd birthday on 30 January 2008. So there is a high probability that his long life was caused by drinking of telekinetised water boiled by his boilers.

Of course, the best policy is "everything in moderation". After all, we already know perfectly well that even eating excessive amounts of such innocent substance as just ordinary kitchen salt, can also cause a death. Therefore, to these readers who purchase for themselves the boiler discussed here, or who build it by themselves in a hobby manner, I would like to remind, that the "good overdone" sometimes ceases to be "good". The most illustratively informs us about it also the mythology, or more strictly the mythological story about the **king Midas** who turned into gold everything that he touched. It is worth to remember about this in case of using "water of life" described here and produced (most probably) by the boiler discussed on this web page. Thus, just in case, I would advice pregnant women, males who just plan to procreate a child, and also youngsters who still are growing, to NOT drink such telekinetised water. But because the discussion of dangers introduced by excessive telekinetisation of the environment is presented on separate web pages (see the web page [tfz.htm - about the telekinesis free zone](#), item #13 of the web page [telekinesis.htm - about telekinesis](#), or item #12 from the web page [newzealand.htm - about mysteries and curiosities of New Zealand](#)), I do not elaborate this topic also on this web page.

Part #F: Who are these unidentifiable "persecutors of inventors" who hide behind the blocking of the "sonic boiler"

from an industrial production:

#F1. What is the "curse of inventors" and which evidence discloses it:

The name **curse of inventors** is assigned to outcomes of hidden intelligence and selectiveness that exists in series of supposed "random coincidents" which unavoidably persecute on the Earth all creative inventors and all creative discoverers who with their efforts try to lift the civilisation level of the humanity. (Notice, however, that e.g. actors, musicians, and other artists are NOT subjected to the action of the "curse of inventors" - hence the name of this curse.) This "curse of inventors" makes sure that all inventions and discoveries which lift upwards the level of humanity are: **(a)** developed and implemented only in communities in the midst of which lives a minimal number of highly immoral individuals, **(b)** serve for the good and morality of the entire humanity as a mechanism with which immoral communities punish themselves, and **(c)** were earned only due to the contribution of suffering and effort that are proportional to the benefits which a given community and the entire humanity is going to gain after the implementation of this invention or discovery. The full definition and description of the "curse of inventors" is provided in item #D1 of this web page. Furthermore, this definition and descriptions are additionally extended by further examples in item #B4.4 of the web page [mozajski.htm](#), in "part #G" of the web page named [eco_cars.htm](#), and in item #H1 of the web page named [.newzealand_visit.htm](#). The "curse of inventors" manifests itself on many ways. For example practically every inventor and discoverer on the Earth who makes something enormously important for the future of our civilisation is brutally persecuted on many different ways which all look like strings of coincidents and unfavourable circumstances. In turn every more important and correct invention and discovery on the Earth is silenced, held back, suppressed, blocked, etc., etc. Source materials which describe real cases of the "curse of inventors" are indicated in item #D1 of this web page.

It is worth to also emphasize that in order this "curse of inventors" could work as it works, the fate of inventors and discoverers must be intentionally although secretly so well "organised", that the inclusion of a given invention or discovery to accomplishments of the entire humanity must continually climb upwards in so-called **moral field**, means must follow the so-called "line of the greatest intellectual resistance". In other words, some "superior intelligence" must "organise" the appearance of all these supposed "coincidents" and "unfortunate converges of circumstances" which constitute the "curse of inventors". Of course, in order the outcomes of actions of this "superior intelligence" were so fatal for so many inventors and discoverers, many immoral people on key positions must actually do the dirty work which is later appropriately "organised" by this superior intelligence - thus escalating the persecution of inventors and discoverers. After all, this "superior intelligence" does NOT persecute inventors by itself, but only

"organizes" immoral people who are carrying out this persecution. For example, just such a help given to this "superior intelligence" by immoral decision makers can be clearly noticed in matter of the heater from New Zealand described on this web page, and also in matter of the airplane of the New Zealander, Richard Pearse, described on the web page [mozajski uk.htm - about Aleksander Możajski, the Polish inventor of the first airplane on the Earth](#). So if also from you, the reader, the fate of some important invention or discovery is going to depend one day, please do NOT give out to the bad temptation of this superior intelligence by making more difficult the life of the inventor or discoverer who is going to need your assistance. After all, everything that you have and use actually originates from efforts of past inventors and discoverers. In addition, this defenceless inventor which is going to be given into your power, actually represents your personal exam from morality - which if is failed now, you will need to expiate in the future.

#F2. The superior intelligence which holds back the completion and implementation of inventions:

The logic indicates that if a person lies on his back and does nothing, then the laziness of that person should NOT generate anything useful. After all, if would be differently, then laziness, avoiding work, and lying down would become the most moral and most productive was of spending our time. Of course, the real life truly confirms this logical regularity. After all, from laziness and doing nothing never emerged anything useful. But in order this happens, the fate of all matters must be ruled by some superior intelligence. This intelligence must make sure, that only contribution of specific work and effort brings useful fruits. Therefore this "superior intelligence" causes secretly and in a typically unnoticeable manner, that everything that is valuable and that is going to morally induce specific benefits, must move along the so-called "line of the greatest intellectual resistance" (i.e. move uphill in the moral field). In other words, this "superior intelligence" is forced to secretly "organise" the work of that "curse of inventors" described in previous item.

#F3. How with the aid of the shifting time back this "superior intelligence" could reverse the demolition of the house of Mr Davey:

In 1998 I definitely was a witness of demolition of the house occupied by Mr Davey. However, in beginning of 2008 I again visited almost the same house (there were slight differences which I noted). Thus, if not my research on time vehicles and on [travelling in time](#), I would have significant difficulties in accepting what I have seen. I suspect that the reader even now is going to have such difficulties. The secret, however, lies in time travel. The intelligence discussed here have already the ability to shift time back. Thus, it is able to shift in time to past and to invalidate selected events which already took place. In this case, I am sure that for some reasons this intelligence invalidated the reasons for which the house of Mr Davey was demolished. The principle on which it has accomplished such a strange task is explained on the web page about [time vehicles](#). In turn items #C6 to #C6.1 of that web page on time vehicles describe most meaningful examples of such invalidations of events that already took place, which (the examples) I encountered in my research to-date.

A curiosity, which seems to emerge from my analysis of the shifting back time of Mr Davey, is that in my opinion his time was shifted NOT just to times before the demolition of his house, but to times when the home in which he lives was NOT build yet. This is because only such a far-reaching shifting explains various facts that I noticed. For example, that the interior of his home in the present (new) elapse of time is different than I remember it from the previous elapse of time. Completely disappeared from his home the room in which he stored components for his heater, the staircase is presently in a completely different place, while the entire his flat is like rotated by 90 degrees in relationship to geographic directions. Such changes cannot be accomplished through e.g. just renovating the flat. These must be obtained through a new and different designing of his home by the architect. Another premise for such a significant shifting his time back is that Mr Davey completely does NOT remember me, although his memory was still relatively sharp. This was in spite that we used to be good friends. In turn it means that in the new course of time we probably never met. Another premise is the heater which he had in new time. This heater was of a different design from heaters which in the previous elapse of time he demonstrated and explained to me. In addition, in the previous elapse of time he had a heater attached permanently to a kind of bench which used to run through his flat. In this course of time he denied that he ever had a heater and a bench to which it was attached. Finally, the personality (character) of Mr Davey in the present course of time seemed to be noticeably different than I remember him from the previous course of time. As an emigrant who lives in another country I frequently meet people whom I used to know in past, but then I had NO contact with them sometimes for tens of years. Talking again to such people after a long break I typically perceive from them a subtle feeling which is difficult to describe, but which I would define that "although their body had changed still [their soul](#) is the same which I used to know". However, when I met again Mr Davey, I perceived from him a different, although equally subtle and undefined, feeling which I would describe that "both the body and the soul had changed in the meantime". This in turn may mean that in the new (present) course of time the inventor went through a different course of fate than in his previous life, thus shaping a different personality (character) for himself.

Part #G: Outcomes of the "exam on repetitiveness and our ability to replicate" carried out on the heater described here:

#G1. Why we need to examine the duplicability of every invention, including the heater described here, means the philosophical significance of repetitiveness and our ability to replicate:

In our civilisation we can encounter two different kinds of inventions. The first of these are **secretive inventions**. These ones exist on the Earth just temporally. But the entire our civilisation do NOT have them included into the list of permanent accomplishments, and thus is unable to benefit fully from the increase in level of civilisation that these secretive inventions introduce. The reason is that after some time an event usually takes place on the Earth, which wipes out the "caretaker of the secrets of these inventions". Thus, after such an event, these inventions disappear and stop their service for the good of our civilisation. An example of such existing inventions that are inaccessible for the entire civilisation because they are made secret, is "coca-cola". The recipe for "coca-cola" is kept as a strict secret. Thus one day some future catastrophe will wipe it out from availability to the humanity. Another example of just such an invention is the unique apparatus for remote detection of impending earthquakes. It is described on the totaliztic web page [seismograph.htm](#) and [in my paper for the ICST-2005 conference](#). This apparatus was constructed in only one copy which the humanity is now unable to replicate. So in spite that it was invented and worked perfectly, now it does NOT serve for the good of humanity, and thus it is NOT included into the technical accomplishments of the entire our civilisation. Still another such "secretive invention" is the telekinetic generator of free energy, which is known in the entire world under the name "Thesta-Distatica", and which is described on the web page [telekinetics.htm](#). This generator exists in as many as three copies. However, because it is made secret, our civilisation cannot duplicate it and thus is unable to rip benefits from utilising it. Of course, there is a lot more of just such inventions known in history of our civilisation. Their examples include almost all inventions and technologies developed in the ancient Egypt. Their secrets were known only to the cast of Egyptian priests and thus were wiped out together with the cast of these priests. Other secretive inventions about which we know that they existed include the "Ark of the Covenant"

(mentioned in the Bible"), and also the "Antikythera mechanism", "everlasting lamp", and the "amphora from Pakistan" (described also on this web page in item #E4.2). A list and description of these extraordinary secretive inventions is provided in item #B2 of the web page [newzealand.htm](#).

The second kind of inventions include all the **replicable inventions**. Almost every human knows about the design and operation of these ones. Therefore, no catastrophe can take them away from the humanity. Their examples include a combustion engine, an electricity generator, a balloon, or an airplane. From the point of view of the good of the entire civilisation only these "replicable inventions" do matter. This is because only from their goodness humans will always benefit. In turn other inventions will disappear with the elapse of time. Therefore one amongst goals that I always impose on my descriptions of any invention, is to make this invention the "replicable" one. However, whether a given invention is replicable decides NOT just my intention, but also a "life exam" - which is passed only if a given invention is in fact replicated by someone.

The occasion of my birthday in 2003 I celebrated through preparing the web page [free energy.htm](#). I included into this web page descriptions of all free energy devices that I used to know then, in this number also descriptions of the invention of Mr Davey. As usually I tried to write these descriptions in such a manner that they make the heater a "replicable" one. Unfortunately, in present times humans seem to be rather idle. In spite that the invention of this heater is the most simple out of all inventions which I ever described, and also in spite that the heater has all these extraordinary advantages, no-one was hurrying to undertake its replication. Present people clearly have "couch-potato" inclinations who prefer to rather eat sandwiches, watch television, and play with computers, than to create something new. Almost no-one in present times seems to entertain himself by hobby building on the Earth any inventions that would have potentials to lift upwards the level of our civilisation. Therefore, our civilisation needed to wait as long as 5 years for the first attempt to replicate this heater. Fortunately, a hobbyist appeared in 2008 who tried to build this heater. This hobbyist accomplished a success. Because of his success, my descriptions have passed the exam for their "duplicability", the heater of Mr Davey went permanently to the technical accomplishments of our civilisation, while this hobbyist obtained a device which probably will provide him with the "water of life" that reassures his good health and longevity. Here is the description of the success of this hobbyist.

#G2. Accomplishments of a [hobbyist from Belgium](#) who examined the heater described here for its duplicability and repetitiveness:

Around my birthday in May 2008 I received an email from a hobbyist in Belgium who reported the success in constructing and in testing several working

prototypes of the heater discussed here. The hobbyist uses the name [Luc](#). He constructed several working prototypes of the heater. Two of these are shown in photographs from "Fig. #G1" below. I am repeating here the technical descriptions and data about his accomplishment, which he was kind to make available for us. In this way I hope to encourage other hobbyists to also replicate, test, and research this extraordinary heater, so that they assist the humanity in harvesting benefits which this heater offers to humans. (As I remember from my talks with the inventor, this was the main idea of his invention and efforts. Therefore by including his invention into the technical achievements of humanity we are honouring his wish and contribution.)

Components used to build the heater: **(1)** Two aluminium ladles of 100 mm in diameter, **(2)** Pipe "multiskin" or "plex-alu" on sale in craft supermarkets, **(3)** 1.5 meters of square multilegged wires, **(4)** Rod of 50 mm to fix the intact hemisphere at the centre of pipe made of "multiskin" or "plex-alu", **(5)** Epoxy (green and white for metal) resistant to 125 degrees for fixing the rod, for isolating the end of pipe in the little hemisphere and for isolating the end of the rod in the intact hemisphere.

Specifications of the heater produced and then tested: **(1)** Ladles made of aluminium (both of the same radius and even thickness of aluminium), **(2)** Almost even electrical resistance at 0.2 and 0.3 ohms, **(3)** Spherical radius of 50 mm for each hemisphere, **(4)** Curves parallel in each hemisphere, **(5)** The smallest hemisphere was cut to 25 mm irregularly but this value is half the radius, **(6)** The other hemisphere has kept intact with the radius of 50 mm, **(7)** The gap (distance) between both hemispheres is 8 mm.

The **initial testing** of the heater was done on 15 litres of water. The heater increased the temperature of this water in 10 minutes to over 60 degrees Celsius, consuming 11 Amperes of 220 Volt, 50 Hz AC electricity (i.e. 2600 watts in total). The water created a deposit of limestone. The home circuit breaker was set at 10 Amperes. The current was measured by the multimeter professional PR3051 (20A AC).

The further **detailed testing** of the heater should also to be carried out. But because such a testing would require a high expertise in very difficult skills of measuring thermal phenomena (means the expertise which I do have), it would require a close cooperation between both of us (i.e. between Luc and myself). Unfortunately, we live on two opposite sides of the world and such cooperation is impossible for accomplishing via internet over such large distances. Thus, such tests probably are never to be completed.

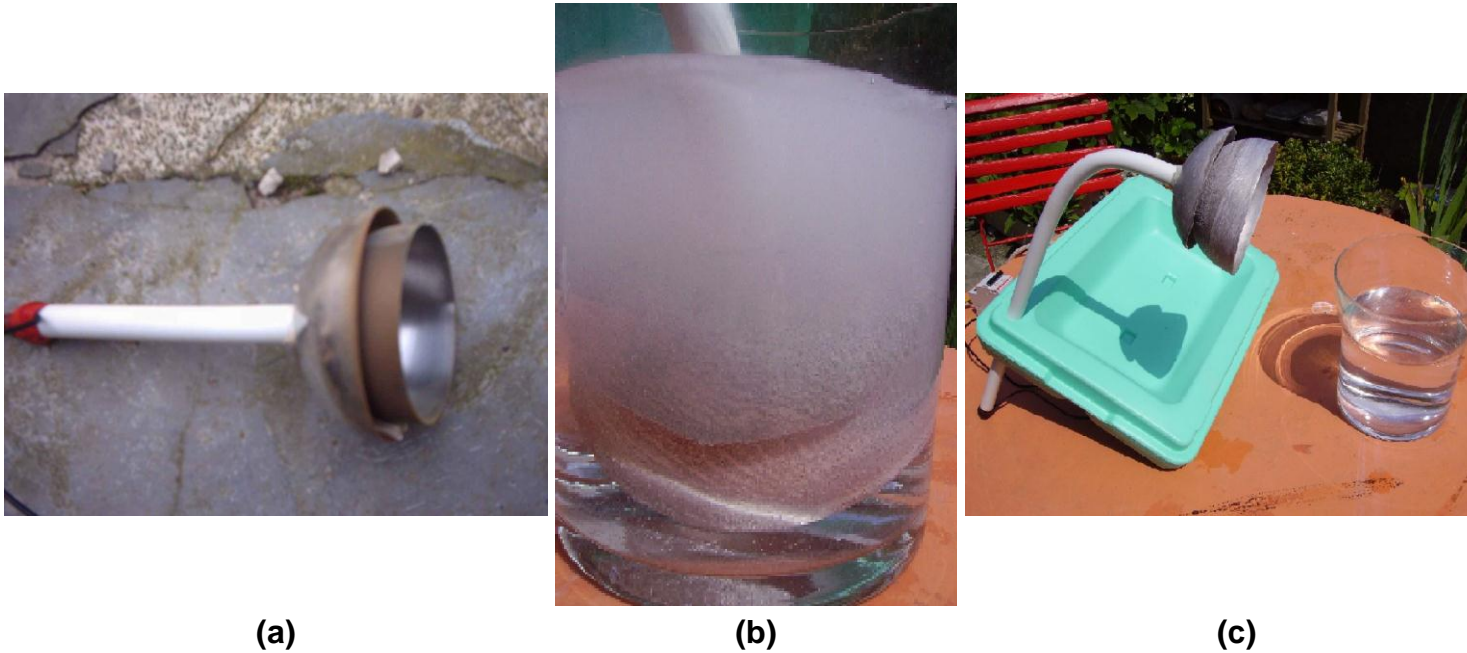


Fig. #G1abc: The appearance and work of heaters constructed by the hobbyist from Belgium. (Click on the above photograph to see it enlarged or to shift it to other area on the screen.)

Fig. #G1a (left): The general appearance of the first (historic) prototype of the heater constructed and tested by the hobbyist from Belgium.

Fig. #G1b (middle): Effects of the operation of a heater constructed by the hobbyist from Belgium. This heater boils a glass of water shown on the photograph "c" on the right side of this illustration. The above photograph captures the appearance of bubbles of steam which the work of such a heater always rapidly induces in the entire volume of the boiled water.

Fig. #G1c (right): The appearance of another prototype of the heater used in photo "b", and water prepared for a test boiling.

#G2.1. My technical comments about the prototypes of the hobbyist from Belgium:

In this material world every technical design has its own advantages and its own disadvantages. Therefore, in order to promote the further development and perfecting of future prototypes of the heater described here, to the above descriptions I am going to add my own technical comments.

I begin my comment from congratulation on the accomplishment. The prototypes shown above represent the first in the world proof that the telekinetic heater can actually be replicated. For such a proof to appear our civilisation awaited 5 years. Furthermore, an extremely important discovery which was accomplished during testing of above prototypes, is that the heater during the work creates a deposit of limestone. This means that the heater discussed here additionally purifies the water that it boils. In this case the heater clearly removed traces of calcium impurities that were present in the boiled water.

Out of further improvements which await to be yet introduced in these

prototypes I would recommend the use of two bowls the radiuses of which differ by "L". That way the outer bowl would be exactly parallel to the inner one, and thus it would NOT require the cutting to such a short length. After all, the shortening of the outer bowl decreases the intensity of the Telekinetic Effect being formed, and thus it also increases the time of boiling and enlarges the energy consumption. Furthermore, I would recommend the change of the material of bowls from aluminium into stainless steel. This is because steel has better sound-generating properties (therefore e.g. bicycle bells cannot be made of aluminium). In turn sounds decide about the efficiency of this heater. In addition steel is neutral for the health, while aluminium is rather unhealthy. Also in descriptions of these prototypes so-far is NOT explained how this heater was fine tuned (for details see item #B3 of this web page).

#G3. Accomplishments of a professor of biology from Serbia who constructed another duplicate of the heater described here:

In June 2009 I received an email from a professor of biology in Serbia. He also constructed another duplicate of the telekinetic heater on the basis of descriptions from this web page. In his email he informs that his duplicate of the heater in fact works as described here and really uses only 5% of electric energy. Around 2% of energy is consumed into the generation of hydrogen which releases huge amounts of energy.

This researcher claims also, that for the winter of 2009/10 he assembled the heater described here in his electric house heating installation, replacing with it the previously used resistance heater, and also replacing in his radiators the pure water by the 1% solution of potassium carbonate. He also claims, that in the result of this replacing, in winter his bills for the electricity decreased by over 60%. (Such a significant decrease of bills could occur only in case when the efficiency of this heater really is at least 3 times greater than the efficiency of a resistance heater.) Unfortunately, this researcher has NOT supplied me with any quantitative results of measurements, which would scientifically support his claims.

#G4. Suggestions of a simple experiment prepared for people who try to develop the telekinetic heater:

Motto: "If someone develops a new theory, then in whatever it states no-one believes - except for the author of that theory. If someone carries out a practical experiment, then in results of that experiment all people believe - except for the person who carried it out."

For a person which is NOT familiar with research on energy efficiency in thermal phenomena, determination of even an approximate efficiency of telekinetic heater is extremely difficult. About the level of difficulty of this task certifies the fact, that in spite of several people informing me in their emails that they constructed prototypes of this heater, by the date of last update of this web page none of them was able to measure the energy efficiency of this heater at even an approximate level. Therefore, in this item I am going to describe a proposal as to how in home conditions one can complete measurements and determination of the efficiency of this heater. In order to allow everyone to complete these measurements, I am going to write my descriptions with the use of simplest language with which I am still able to explain these measurements thoroughly.

#G4.1. Experiment 1: the determination of "relative efficiency" of the telekinetic heater through comparing its consumption of energy with the consumption of energy of an electric jug:

Measuring equipment. In order to complete this experiment it is enough to have the following equipment: (1) a stopwatch (or a watch with a pointer of seconds), and (2) Amperometer for alternating current, or any other electric meter which allows to measure the amount of electric energy consumed by a given heater. In addition to these, the experiment will also use (3) the researched prototype of the telekinetic heater, (4) a conventional (i.e. working on resistance) electric jug, (5) a kitchen measuring dish that allows to measure 1 litre of water, and (6) a pot suitable to boil in it water with the use of telekinetic heater.

Principles of the experiment. It boils down to measuring initially the amount of electrical energy "Et" consumed by the telekinetic heater, then measuring in possibly identical thermal conditions the amount of electrical energy "Ec" consumed by a conventional electric jug working on resistance, finally on dividing one of these amounts by the other according to the equation " $s=100 \times Ec/Et$ ". After this division is done, we obtain the "relative" efficiency of the telekinetic heater (expressed in %) in comparison to just a conventional electric jug. In turn when knowing this "s", we are to know also how much a given prototype of the telekinetic heater is better (because it is more efficient from the energy point of view) from an ordinary (conventional) electric jugs. So here are subsequent steps in the completion of this experiment:

1. The measurement of energy "Et" consumed by the telekinetic heater to boil 1 litre of water. The most simple way to complete this measurement would be to use a precise meter of electrical energy "Et", similar to the home electricity meter (i.e. the one which measures the consumption of energy in

"kWh"), then supply the heater's prototype into electricity via this meter. This is because such a meter would allow to directly determine how much "kWh" of electric energy "Et" the heater is consuming to boil 1 litre of water. Unfortunately, although every flat has such a meter, but typically its disc is constantly rotating because in the flat something continuously consumes electricity (e.g. our fridge, or our TV on "standby"). Thus, it could be used only in the case when its disc is standing still (means when no other consumption of energy is taking place). In order to increase its precision, instead of depending on its digital indications, one can count the number of rotations of its disc. Such a meter allows us to measure directly "Et".

But if we lack of such meter, the consumption of electrical energy "Et" by the heater can also be measured with an ordinary amperometer and a stopwatch. For this, we need to pour to a dish 1 litre of water taken from e.g. a tap. Switch the electricity supply to the heater and simultaneously start the stopwatch. Heat 1 litre of water with the telekinetic heater until it boils. During this heating we need to measure the value of current "It" consumed by the heater. At the moment when water boils, we need to switch off simultaneously the telekinetic heater and the stopwatch - so that we know the length of time "Tt" during which the heater consumed the energy, and we know electric current "It" which was consumed to boil 1 litre of water. Finally we need to calculate the consumption of electric energy "Et" by the heater, through multiplying: $Et = (\text{voltage of the current "Vt"}) \times (\text{amperage of the current "It"}) \times (\text{time taken to boil the water "Tt"})$. Because we do NOT use a voltmeter to measure the voltage "Vt", while in mains from home this voltage typically is constant (e.g. in Europe it amounts to $Vt=220$ Volt), in the above equation instead of "Vt" we can put this constant value of voltage (e.g. 220).

However, there is a problem with the above measurement of "It". Namely, the current "It" consumed will NOT be the same during the entire period of heating the water to the boiling point, but it will change as time elapses. Therefore to the above equation " $Et=(Vt) \times (It) \times (Tt)$ " - in which "x" means the operation of multiplying, instead of "It" one needs to put an average value of the amperage. But in order to determine how much is this "average value of It", it is good to repetitively measure, e.g. every 10 seconds, and then write down, the exact value of current "It" which the heater is consuming at a given moment of time. Then it is enough to calculate the "mean value" from the series of currents "It" measured repetitively every e.g. 10 seconds.

2. The measurement of energy "Ec" consumed to boil 1 litre of water by an ordinary (conventional) electric jug. For this purpose it is enough to repeat measurements exactly like in item 1 above, only that this time we measure the consumption of electric energy "Ec" by an ordinary electric jug during bringing to the boil of 1 litre of water taken from the same tap as previously. (Means water of the same chemical composition and the same initial temperature.) Note that almost each home has such an ordinary electric jug for making tea. During carrying out these measurements we need to pay a special attention that all thermal parameters and conditions are possibly closest possible to parameters and conditions that prevailed during the measurement from 1 above, and also that the measurement itself was carried out with exactly the same method as that in 1 above.

3. Calculation of "relative" efficiency "s" of telekinetic heater. This efficiency we calculate from the equation: $s=100 \times E_c/E_t$ (the result is expressed in %) - in which symbols "x" and "/" mean operations of multiplying and dividing, while "E_c" and "E_t" mean previously measured amounts of energy consumed by the jug and by the telekinetic heater.

4. Sources of errors and the level of accuracy of the experiment described here. This experiment is so designed, that possible errors resulting from the improper experimental conditions, or insufficiently precise equipment, are mutually self-cancelling. Therefore, the better fulfilled are conditions (listed below) in which it is carried out, the more accurate results this experiment is going to yield. Here are conditions to be met: (1) The escape (loss) of heat from the pot used to boil water with the telekinetic heater is equal to the escape (loss) of heat in the electric jug. (2) The initial temperatures of both dishes used for boiling the water (i.e. the jug and the dish used for telekinetic heater) are equal. (3) The temperature of water boiled with the telekinetic heater is equal to the temperature of water boiled with the ordinary electric jug (i.e. both these temperatures are equal to e.g. 100 degrees Celsius). (4) Both these heating devices were provided in water of the same initial temperature and chemical composition (e.g. natural impurities, or intentional addition of e.g. 1% of baking soda to increase the efficiency of the telekinetic heater). (5) In both these devices the moment of boiling of water is determined in the exactly the same phase of heating (i.e. none of them unnecessarily boils water slightly longer, thus additionally consuming more energy than necessary). (6) The voltage of electricity supply is always the same (e.g. in Europe it always amounts to 220 Volt). (7) The error of measurements, and the error of determination of the mean value of current, is the same for both devices. (8) Both principles of boiling the water consume energy for exactly the same phenomena (this requirement almost for sure is NOT fulfilled, because the telekinetic heater, independently from consuming the energy for heating and evaporation of water, additionally consumes unknown so-far amounts of energy for telekinetising the water and for dissociation a part of water into hydrogen and oxygen), (9) Units used for writing down all parameters used in equations are always the same (e.g. all currents are expressed in Amperes, all times in hours, all voltages in Volts). If the above conditions are fulfilled, then the value of error with which "s" is determined, is going to be at a tolerable level, while the experiment will give us a good idea about a "relative" efficiency of the telekinetic heater (means, it provides us with a good value on which we can rely).

5. (Conditional) The verifying repetition of the experiment for e.g. 2 litres of water. In order to increase the accuracy, and also to self-verify the experiment, it is good to repeat the steps 1 to 3 - but this time for a greater amount of water (which, however, should be a multiplication of whole litres), e.g. for 2, 3, or 4 litres. In case of repeating it, I would also appreciate letting me know the results.

6. Sending to me the results and description of own experiment. These readers who determine the value of "s" for their prototypes of telekinetic heater, and for their own jugs, I would encourage to post me the final result received (means post me the value of "s"). Helpful, although NOT absolutely necessary, could also be the set of data which would allow me to verify the correctness of

the experiment and to estimate its error - e.g. values of "Et", "Ec", "Tt" and "Tc", also - if possible, a brief comment on how (or how close) the experiment fulfilled the conditions from item 4 above.

These people who complete in person the experiment described here, and who honestly approach the problem of meeting conditions from 4 above for accomplishing the highest accuracy of measurements possible, are also going to realise the bitter truth hidden in the motto from item #G4.

* * *

If someone amongst readers manages to carry out accurately the above experiment, then together with his results and his photographs of the heater's prototype, I am going to describe and publish here another simple experiment which additionally increases our knowledge about mysteries that hide in the telekinetic heater described here.

#G4.2. Experiment 2: determination of the "relative vitality" introduced to the water boiled by the heater described here:

In the item #E6 above, as well as in item #I2 below, is explained that if we change the principle of operation of the heater described here so that during its work it does NOT cause the electrolytic dissolving of metals of its spheres in water that is heated (as this is revealed in subsection #G5.3 below), then it probably would produce the so-called "water of life". Such water is telekinetised, and thus it induces health, and causes a faster, as well as more lush, growth in all living organisms. More information on the subject of such water is explained in subsection NB2 "Telekinetic farming" from volume 11 of [monograph \[1/4\]](#), and also subsection H8.2 from volume 4 of that [1/4]. This experiment is aimed at verification and possible measurement of the "relative vitality" contained in the water telekinetised with the heater described here.

At this point I should emphasize, that the **phenomenon of telekinetisation of water is a completely new phenomenon, still unknown to the official human science, and apart from myself, not researched yet by practically any other scientist in the entire world.** In turn as a completely new phenomenon, for sure it hides a lot of secrets and mysteries. Out of these, some mysteries (e.g. the biological activeness of the telekinetised water) probably will turn out to be extremely beneficial for the humanity. However, other secrets (e.g. attributes which by radiesthesia are described as so-called "negative green") probably are going to turn out to be rather detrimental - for more information on this subject see the web page [tfz.htm](#).

The principle of experiment described here is very simple. In two clearly labelled pots (so that these are not confused with each other) we plant some vegetation that is sensitive to telekinetic inducement of their growth - e.g. a "money plant" (see abovementioned subsection NB2 from [1/4], or see subsection U3.5 from [1/4]). One of these two pots we always are watering with the water that previously was boiled with the heater discussed on this web page (but cooled down before watering the plant). In turn the second pot we always are

watering with the normal water. When both plants already reach maturity, we make photographs of both of them in their pots, as well as we measure heights "Ht" and "Hc" of these plants, and if needed we also measure their weights "Gt" and "Gc". Then we determine the "relative force of vitality" for the water from the heater, by using the equation: " $v=Ht/Hc$ " or equation " $v=Gt/Gc$ ".

To provide here some standards and values for comparison, my measurements on the growth of vegetation on landings of telekinetic UFOs from New Zealand - shown e.g. in "Fig. #13" from the web page [newzealand.htm](#), indicate that the largest value of "v" for the soil from such landings of telekinetic UFOs amounts to $v=12$. In turn e.g. because of the telekinetic pollution of the soil in New Zealand due to the [explosion of UFO vehicle near Tapanui](#), trees currently grow in New Zealand around 4 times faster than the same trees in Europe - thus after around 800 years which elapsed since the time of that UFO explosion near Tapanui, the relative "force of vitality", means "v", for the soil in New Zealand (in relation to the soil in Europe) still amounts to around $v=4$.

It is worth to add, that according to my knowledge to-date about the process of telekinetisation, the permanent telekinetisation of water boiled with this heater, and thus also the "relative force of vitality" for this water, almost surely are going to be boosted if into each of two wires that supply electricity to the heater, is connected one oppositely winded inductor used for energising electric impulses in the telekinetic cell of my invention. (The design, completion, and operation of these inductors is described comprehensively in items #E1.1 and #F1.1 of the totaliztic web page [fe_cell.htm](#). In turn the most beneficial parameters of their manufacturing, such as the diameter of wire used to make them, number of coils, and shape and strength of the permanent magnet on which these coils are to be winded, still require empirical researching for the heater described here.) I personally recommend the connecting these inductors to each wire which supplies the electricity to the heater described here - means I recommend to build a kind of cross between the telekinetic heater described here and the telekinetic cell of my invention. After all, if the heater is to be researched and developed for the future use as a way of increasing the health and longevity of people who drink water boiled with this heater, then these inductors should increase the telekinetisation of the boiled water, and through this also the "relative force of vitality" of this water.

#G5. The prototype and results of measurements of the "relative efficiency", carried out by a [Polish hobbyist](#):

Herewith I have the real pleasure and honour to report, that our efforts to construct and to research the heater described here, are joined also by my countryman, a Polish hobbyist. Even more I am proud, that his prototype and research turned out to be carried out the best, and provided results on which we can rely the most, out of all prototypes and research which I encountered so-far.

This Polish hobbyist can be contacted under the email address elvis255b@o2.pl. Below are provided his reports from the construction and research of the heater described here - which I rewrote onto this web page from his emails. Notice, that reports which he authorises, are contained in items #G5.1 and #G5.3 below. He also took and provided photographs of his heater and outcomes of his experiments that are shown below - although captions under these photographs, as well as the entire item #G5.4, are again of my authorship.



Fig. #G5: A photograph of the prototype of telekinetic heater prepared and researched by a [Polish hobbyist](#). (Click on the above photograph to see it enlarged or to shift it to other part of the screen.)

This heater is worth of our attention and research. After all, because of the impossibility to compare the boiling caused by this heater with the boiling caused by the conventional (resistance) heater, the experiments to-date still did NOT managed to rule out and exclude these persisting rumours that the telekinetic heater really has over 100% energy efficiency. Rather opposite, all experiments so-far seem to confirm its over 100% efficiency. For example, as this is illustrated on photographs from "Fig. #G5.3" and "Fig. #G5.2" below, this heater not only boils water, but also generates a lot of hydrogen, telekinetises water, crystallises calcium impurities, and produces steam for the duration many-fold longer then a resistance heater, but its efficiency still is almost the same as the energy efficiency of a resistance heater. The same is suggested also by the analysis of measurement errors. After all, for example during boiling 2 litres of pure water with the telekinetic heater, the time gap between the first symptoms of "inter-spherical boiling" and the full "volume boiling" extends to 175 seconds. In turn, for measurements to yield the efficiency $s_2=98.229\%$, instead of the efficiency over

100%, it is enough that the experimenter delayed for 6 seconds his recognition that the water already boils fully. In turn 6 seconds represents an error of sensual reaction at the level of 2% - means extremely easy to commit in sensual recognition of the situation in this type of thermal research. It also known that errors of measurements typically tend to spread "outwards" the range of measured values, while that measurement $s_2=98.229\%$ lies on the low border of the measurement range. Thus, if errors of measurements are eliminated, then probably the correct value would lie closer to the centre of the measured range, means somewhere on the value greater than 100%.

As I explained this in item #I2 below and in item #E6 above, perhaps such further research confirms also that this heater generates the "water of life" which increases the longevity of people who drink it - if we only find out how to change the principle of its operation so that it does NOT cause the dissolving of metals of its spheres in water that it boils (as this is revealed in subsection #G5.3 below). Therefore, it is really worth to roll up our sleeves and either build a prototype of it, or purchase a prototype from someone who already mastered the production of these heaters, and then urgently undertake experiments described in item #G4 of this web page - for example to measure the "force of vitality" that expresses the life-giving capabilities of water boiled by this heater.

#G5.1. Description of the prototype and experiments which I completed (this item is authorised by elvis255b@o2.pl):

According to the description from your web page to which links you posted to me, using the kWh meter instead of amperometer (because I do NOT have it), I measured the amount of electrical energy consumed by the telekinetic heater and by the conventional (resistance) heater - assembled in two identical plastic containers - in one of them the conventional (resistance) heater, while in other of them the telekinetic heater. The results which I obtained for measurements of the "relative efficiency" of the telekinetic heater (for 1 litre and 2 litres of water being boiled in conditions of "volume boiling" are NOT less than: $s_1 = 96.664\%$ and $s_2=98.229\%$. But because of the impossibility to compare the moment when water begins to boil in each of these heaters, in reality these efficiencies can be even much higher. Below I am describing my prototype, and also the course of measurements as well as the obtained results.

My prototype of the heater: A photograph of my heater is enclosed (see "Fig. #G5" below). The heater works. On hemispheres of diameters $d=50$ mm and 40 mm I researched it with various gaps of $L = 3.5$ to 4.5 mm. The best result I accomplished for the gap of 3.8 mm, but it was NOT much different from other gaps. Therefore I later adopted the gap equal to $L=4.0$ mm and all research I carried out for such a gap. For larger gaps $L > 5.5 - 6.0$ mm the efficiency of the heater drops slightly, as well as it drops for gaps smaller.

The inner hemisphere I tuned to the frequency of 50 Hz with the use of synthesiser - as I believe quite accurately. The synthesiser allows to tune up to 0.01 tone means up to so-called 1 cent, the condition is a good musical ear. I did

so, having the driller, grinding paper, and speaker by my ear, and taking out the inside of the hemisphere until it started to vibrate at 50 Hz. Only that it was cold. The heated hemisphere (after the boiling) lost its tuning by teens of cent, as I believe because of the temperature expansion of the material. Thus I decided to tune it to the boiling water, means take out a bit of material (this time from the face of it) to increase the tone of it by the amount that falls down in boiling water, means by around 12 cent (so that in boiling it was at "0"). I did NOT notice after these fine tuning any vital changes in the functioning of the heater. Thus I assumed that it is enough when the hemisphere vibrates around 50 Hz or (as it stems from my findings) even not necessarily exactly that.

The process of shaping hemispheres is called "panel moulding" (in Polish: "wyoblanie blachy"). In Brzesko, Poland, there is a company which makes this process by hand - there are only 4 such companies in the entire Poland. I was ordering from that one. Assembly of the hemispheres on a teflon or polyamide rod turned out to be good, similarly as on textolite or bakelite rods - depending what material is at hand.

Difficulties of the experiment: During the completion of experiment from item #G4.1 a difficulty appeared with the determining the phase of boiling water by the telekinetic heater, which from the energy point of view would be an exact equivalent of boiling water with a conventional (resistance) heater. The reason is that the "inter-spherical boiling" is in this heater rather distant in time from the "volume boiling". In addition, in the glass and with a small volume of the boiled water the visually it is difficult to distinguish these two phases of boiling. Therefore, I measured parameters of both of them, and for both of them I determined the "relative efficiency". But I believe that to the energy state of the boiling with conventional (resistance) heater, the most close is only the "voluminous boiling". Here is how I determined the moment when water started to boil in each of the two phases:

- "Inter-spherical boiling". It is determined by the moment when first vibrations and steam bubbles appear around both spheres of the heater.

- "Volume boiling". It is determined by the moment when the full boiling of the entire water is accomplished with simultaneously the smallest consumption of current by the heater.

For comparison, the moment of boiling in a conventional (resistance) heater is simple to detect. It appears when the jug ceases to hiss while water starts to gurgle. Thus such a moment can be heard very clearly, as it comes quite fast, from hissing to a full gurgle - in time of around 3-4 seconds, while later the water boils continually. The researcher needs to only sense the moment of change with his ears and then switch off the stopwatch fast.

The course and outcomes of measurements for boiling the pure drinkable water: Before carrying out of measurements, each amongst both identical plastic containers was conditioned in the stream of tap water of the temperature 1 deg C for 3 minutes, so that their temperature was decreased to the temperature of water, and measurements were started from such a condition. For measuring water I used the scaled container 500 ml from sprayer for flowers - also conditioned (2 times).

For the conventional heater with 1 litre of water the moment when the water started to boil occurred after 58th revolution of my kWh meter, means until that

time the heater consumed $E_c = 0.12083$ kWh, or 120.83 Wh - according to the equation: $E = 480/(\text{number of rotations of the disk in my kWh meter})$ - as 480 rotations of the disk in this meter amounts to one kWh. The boiling occurred after $T_{c1} = 3$ min. and 40 sec.

For the telekinetic heater with 1 litre of water the first manifestations of inter-spherical boiling occurred already after 22nd revolution of my kWh meter after the time of 51 sec. (means until that time the heater consumed 0.04583 kWh - or 45.83 Wh). In turn the full boiling of the entire water with the smallest momentary consumption of energy was registered after 60th revolution of my kWh meter and time $T_{t1} = 2$ min. 34 sec. - means until that moment the heater consumed $E_{t1} = 0.1250$ kWh or 125.0 Wh, according to the equation $E = 480/\text{number of revolutions of my kWh meter}$.

The final result of the relative efficiency of the telekinetic heater measured for 1 litre of water and for first signs of "inter-spherical boiling" was $s_1' = 100 \times (120.83/45.83)\% = 100 \times 2.63648 = 263.648\%$. In turn for the full "volume boiling" with the smallest momentary consumption of energy it amounted to: $s_1 = 100 \times (120.83/125.0)\% = 100 \times 0.96664 = 96.664\%$.

For the conventional heater with 2 litres of water the moment of starting to boil occurred after 111th rotation of my kWh meter, means until that time the resistance heater consumed $E_{c2} = 0.23125$ kWh or 231.25 Wh - according to the equation: $E = 480/\text{number of rotations of the disk in my kWh meter}$. The boiling occurred after $T_{c2} = 7$ min. 54 sec.

For the telekinetic heater with 2 litres of water the inter-spherical boiling occurred already after 45th revolution of the disk of my kWh meter after the time of 1 min. 47 sec. (means until this time the heater consumed 0.09375 kWh or 93.75 Wh). In turn the full "volume boiling" of the entire water with the smallest consumption of current I noted after 113th revolution of the disc in my kWh meter, after $T_{t2} = 4$ min. 43 sec. Thus, until that time the heater consumed $E_{t2} = 0.23542$ kWh or 235.42 Wh energy - according to the equation $E = 480/\text{number of disc revolutions}$.

The final result of the relative efficiency for the telekinetic heater measured for the "inter-spherical boiling" of 2 litres of water amounted to $s_2' = 100 \times (231.25/93.75)\% = 100 \times 2.46667 = 246.667\%$. In turn for the full "volume boiling" of this water with the simultaneous smallest consumption of current: $s_2 = 100 \times (231.25/235.42)\% = 100 \times 0.9823\% = 98.229\%$.

The course and results of measurements for boiling water that conducts current, i.e. with 0.05% solution of sodium hydroxide - NaOH: I also received the request to repeat my measurements for water that conducts electric current because it contains some salt. In these experiments I used the solution of sodium hydroxide - NaOH. The reason for which I chose NaOH - instead for example the "baking soda" (NaHCO_3) - which one can purchase in almost every shop, is that for NaOH no residue is created on hemispheres (because we introduce only cations of sodium to the solution), while the efficiency of the process is increasing. In turn research on e.g. "baking soda" NaHCO_3 would probably create carbonate residues on hemispheres - thus decreasing the efficiency of the heater. Experiments revealed that the draw of the current by the telekinetic heater is proportional do the concentration of solution, and that in concentrations higher than 0.05% (i.e. after adding over 3 grams of "NaOH" to 6

litres of water) the draw of current becomes so high that it throws out my 16-Ampere circuit breaker in the house immediately after the heater is switched on. Therefore, my measurements were carried out for the concentration 0.05% of sodium hydroxide - NaOH. Before starting every experiment I conditioned the solution in my deep-freeze to 1°C, and also conditioned both jugs in the stream of water of temperature 1°C. Here are results:

For the ordinary heater working on electrical resistance, the results of previous research remain valid and are almost identical, i.e.: For 1 litre the moment of boiling of solution occurred after 60 revolution of the kWh meter, means until that moment the resistance heater consumed 0.12083 kWh - or 120.83 Wh, according to the equation: $480/\text{number of revolutions}$. Boiling after 3 min. 44 sec. For 2 litres the moment of boiling occurred after 111 revolution, means until that time the resistance heater consumed 0.23125 kWh - or 231.25 Wh, according to the equation $480/\text{number of revolutions}$. Boiling after 7 min. 54 sec. Parameters of boiling water for so small concentrations of solution for resistance heater can be not considered, although may slightly differ when solutions are oversaturated, saturated, or have so high concentration that the influence on the boiling has their density/mass (1 litre of water with 0.5 kg of sugar gives the solution of the mass 1.5 kg and theoretically should boil after around 1.5 times longer duration.)

For 1 litre of solution of 0.05% NaOH the telekinetic heater boils water within the spheres immediately after switching on and buzzes with frequency of 50 Hz (there is a lack of any time delay - but for easiness of calculations I assumed that the "inter-spherical boiling" occurs after 0.8 sec., 1 revolution of the disk of kWh meter, means after consuming 0.00208 kWh - or 2.08 Wh) consuming momentarily around 9000 W. For the full boiling of the entire volume of the solution and simultaneously the consumption of smallest amount of energy (the momentary consumption of around 2500 W) elapses 1 min. 21 sec. (the time of full boiling of 1 litre of pure water from the tap of the same temperature amounted to 2 min. 34 sec.), and the heater consumed almost the same amount of energy as previously, means 59 revolutions of the disk of kWh meter, or 122.92 Wh (previously 60 revolutions of the disk, or 125.0 Wh).

For 2 litres of solution of 0.05% NaOH the telekinetic heater boils water instantly within the volume of hemispheres, and buzzes with the frequency of 50 Hz (there is a lack of any time delay - but for easiness of calculations I assumed that the "inter-spherical boiling" occurs after 0.8 sec., 1 revolution of the disk of kWh meter, means after consuming 0.00208 kWh - or 2.08 Wh) consuming momentarily around 9000 W. For the full boiling of the entire volume of the solution and simultaneously the consumption of smallest amount of energy (the momentary consumption of around 2500 W) elapses 2 min. 15 sec. (the time of full boiling of 2 litres of pure water from the tap of the same temperature (1°C) amounted to 4 min. 43 sec.), and the heater consumed almost the same amount of energy as previously, means 117 revolutions of the disk of kWh meter, or 243.75 Wh (previously 113 revolutions of the disk, or 235.42 Wh).

The final result for 1 litre until the first signs of boiling of telekinetic heater: $s1' = 100 \times (120.83/2.08)\% = 100 \times 58.091 = 5809.13\%$. The final result for 1 litre until the full boiling with the smallest momentary consumption: $s1 = 100 \times (120.83/122.92)\% = 100 \times 0.9829 = 98.29\%$. The final result for 2 litres until

the first signs of boiling of telekinetic heater: $s_2' = 100 \times (231.25 / 2.08) \% = 100 \times 111.17789 = 11117.89\%$. The final result for 2 litres until the full boiling with the smallest momentary consumption: $s_2 = 100 \times (231,25 / 243,75) \% = 100 \times 0,9487 = 94,87\%$.

Additional findings: (1) I noted that the entire research on the telekinetic heater carried out in a GLASS lead to the situation that the "inter-spherical boiling" can be taken for the "volume boiling" and the results can be considered to be final. Thus concentrating the research on a larger amount of research than in a glass - 1 or 2 litres - one can notice that a significant time elapses since the moment of first inter-spherical bubbles and initial weak buzzing, until the time of a full vibrations of the heater by the boiling water and the water exploding from it with moving the whole table. **(2)** The watching of instant "inter-spherical boiling" in a glass or small transparent dish of the 0.05% solution of NaOH causes that the efficiency of this heater can really be taken as close to around 2000%. This is because in such case the efficiency amounts then: for 2 litres = 11118%, for 1 litre = 5809%, for 0.5 litre = 2904%, while for 0.25 litre = 1452%.

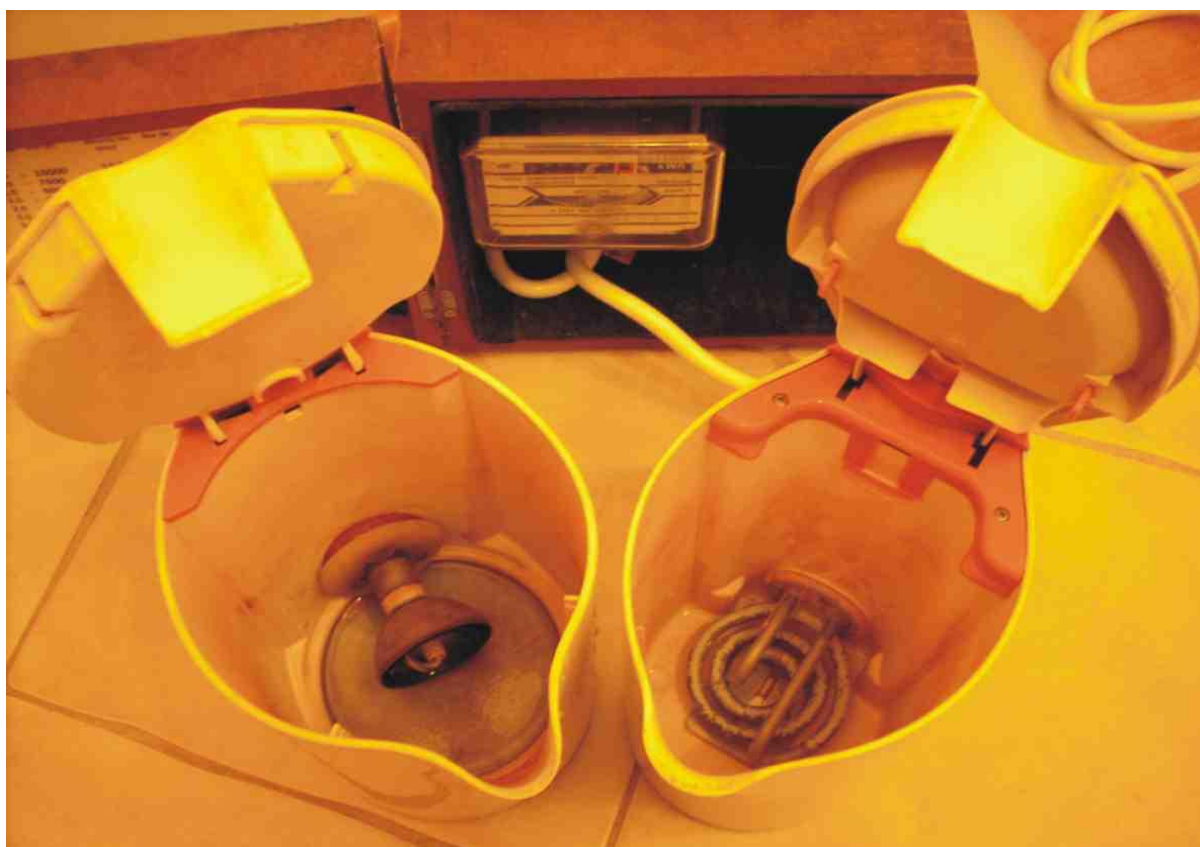


Fig. #G5.1: A photograph of two electric jugs of similar thermal characteristics, in which the [Polish hobbyist](#) carried out his experiments described in item #G5 above. This photograph excellently illustrates the painstaking scrupulosity with which this hobbyist carried out his experiments and the length at which he went to eliminate the sources of errors described in (4) from item #G4.1 above. (Click on the above photograph to see it enlarged or to shift it to other part of the screen.)

The similarities of thermal characteristics of both jugs, environmental conditions, and the researched water, on which he carried out his experiments,

eliminated systematic errors of this experiment. Thus the only source of errors which still was NOT eliminated from measurements of the "relative efficiency" of the heater described here, stems from the to-date lack of knowledge of our science about the course of phenomena of telekinetic heating, and also the drastic difference of the telekinetic heating itself from the process of normal electrical heating (based on resistance).

#G5.2. Description of experiments aimed at the detection of consequences of water telekinetisation (this item is also authorised by elvis255b@o2.pl):

I also completed a small experiment which boiled down to comparing effects of resistive and telekinetic boiling of water. Namely, I boiled water in these two different ways, then my colleague prepared from it microscope samples of droplets of water from both ways of boiling - after earlier placing samples on centrifuges and spinning them to extract crystals. Photographs of microscope images of particles of crystallised carbonate calcium CaCO_3 which is mainly responsible for making "milky" the water boiled with telekinetic water are shown below in "Fig. #G5.2cd". These photographs of particles were taken at the enlargement of 400 times.

Results are encouraging - these are visible perfectly well if one compares the pictures of crystals formed during the boiling with a resistance heater and with the telekinetic heater described here.

The photograph from "Fig. #G5.2c" below shown "resistance crystals" which were formed in water that was boiled with the traditional heater working on the electrical resistance. (Or more strictly, it presents a microscope image of particles of carbonate calcium produced during a traditional/resistive boiling of water.)

In turn the photograph from "Fig. #G5.2d" below shows "telekinetic crystals" formed in water during boiling it with the telekinetic heater of the Davey's invention described on this web page. (Or more strictly, it presents microscope images of CaCO_3 particles - that cause "milky" colour of water boiled telekinetically.)

The telekinetisation of water with the heater described here for around 5 minutes causes the crystallisation of hundreds times larger amounts of calcium residue (crystals) than the boiling of a similar amount of water in a traditional manner in the same time of 5 minutes - means I am confirming what other researchers have found about this heater, namely that the Davey's heater purifies water from calcium salts. The telekinetisation/boiling of water with the Davey's heater causes also the formation of crystals of carbonate calcium CaCO_3 of a different shapes from ones which are formed in much smaller amounts in water boiled traditionally. This is confirmed on photographs shown below. The "telekinetic crystals" are longer and thinner, while "resistance crystals" are shorter and thicker. Please have a look at them. Is it possible that the "telekinetic effect" has the impact on the shapes?

I also carried out a simple analysis of 3 kinds of water from the same tap for 2 parameters: - pH and conductivity. The results:

- (1) The bottle with raw water: pH = 7.54; 497 μ S (mikrosiemens).
(2) The bottle with water boiled traditionally for 5 minutes: pH = 9.21; 300 μ S.
(3) The bottle with water telekinetised for 5 minutes: pH = 8.68; 302 μ S.
Conclusions: in telekinetised water something decreases its pH to 8.7 and does NOT allow it to rise to 9.2 as in water boiled traditionally. So further research is needed to establish what it is.

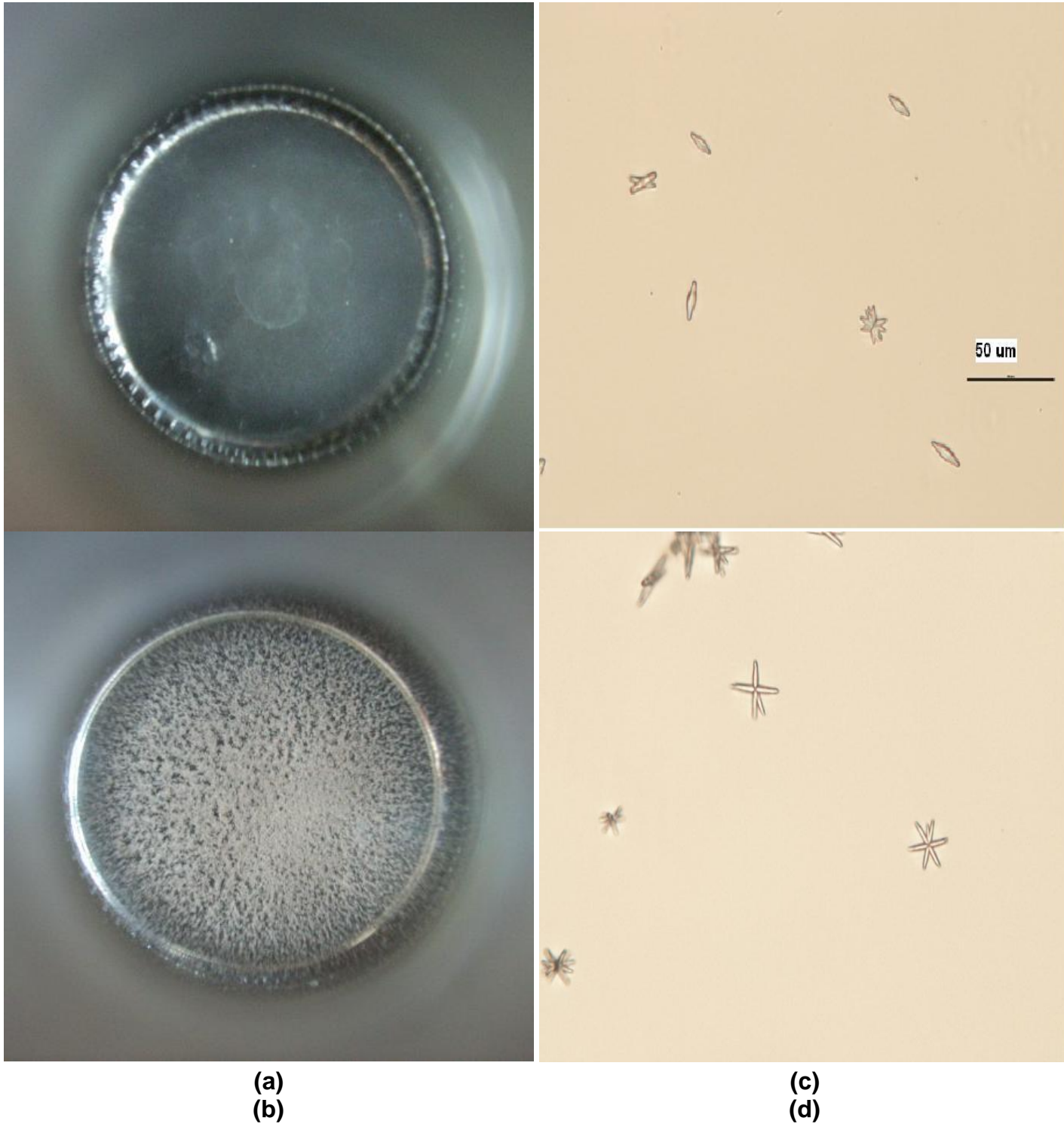


Fig. #G5.2ab: Photographs taken by the [Polish hobbyist](#) which illustrate differences between outcomes of traditional boiling of water from a tap, and boiling water from the same tap with the telekinetic heater described here. (Click on the selected photograph to see it enlarged or to shift it to other part of the

screen.)

Fig. #G5.2a (left-top) and **Fig. #G5.2b (left-lower)**: Here is the comparison of bottoms of two glasses after micro-particles of carbonate calcium CaCO_3 settled on them from tap water boiled in two different ways. It is just crystallisation of particles of this calcium that causes this temporary "milking" of water boiled telekinetically which is visible on photograph from "Fig. #G5.3b" below. The upper photograph (a) shows calcium that settled on the bottom of glass from water which was boiled with conventional resistance heater. As we can see hardly any calcium was settled. In turn the lower photograph (b) shows the thick sediment of calcium on the bottom of glass from water boiled with the telekinetic heater. As it can be seen, this heater causes the crystallisation of hundreds times more of calcium than the resistance heater. In this way it probably purifies water in much better way than it can be done by the best water filters.

The shocking in the above experiment is the amount of calcium that settles on the bottom of glass from water boiled in the telekinetic manner. Thus the question which we should ask and then verify with research is: "whether such large amount of calcium is really dissolved in pure tap water?" Or rather is true what explains subsection NB3 from volume 11 of [monograph \[1/4\]](#) - means: *whether the process of telekinesis is able to carry out the "telekinetic synthesis of calcium atoms from completely different elements contained in water?"* If the future research confirm this extraordinary possibility then a next question for which finding the answer could turn hugely beneficial to the entire humanity, will be: **whether drinking telekinetised water causes inside of living organisms the synthesis of atoms of these elements which a given organism just needs but which it does NOT have?** After all, the positive reply to such a question would confirm the belief that the heater described here produces the miraculous "water of life".

Of course, if the research confirms, that tap water in fact contains such large amounts of calcium, while the heater described here just only purifies this water, then this discovery also is going to turn out extremely beneficial. After all, it indicates a very simple way of purifying water from various chemical pollutants. It suffices that such a heater is supplied with the current of appropriate frequency and it boils e.g. sea water, then this boiled water is either put through centrifugal forces, or is poured into a dish and left to settle its chemical impurities on the bottom, and we receive a pure drinkable fresh water that is not only separated from salts and other chemicals, but is also pasteurised - and thus bacteria deficient and ready for consumption. Due to this, **the heater described here can turn out to be the heart of futuristic simple and extremely needed devices for desalination of sea water and for turning it into drinkable fresh water.**

Fig. #G5.2c (right-top) and **Fig. #G5.2d (right-lower)**: The comparison of crystals of carbonate calcium CaCO_3 which are formed in tap water that was boiled (c) with just ordinary resistance heater, and (d) with the telekinetic heater described here. The telekinetisation (boiling) of water with the heater invented by Mr Davey shows the crystallisation of CaCO_3 with slightly different shapes from these which are formed in much lower quantities during traditional boiling - as this is proven by the above photographs. The "resistance crystals" (c) are short and thick. In turn "telekinetic crystals" (d) are longer and thinner. This change of shapes of crystals during telekinetic boiling indicates a strong influence of

telekinetisation of water, thus implies the increase also in biological activity of this water (i.e. in vitality). For more information on the subject of manifestations of telekinetisation of substances (e.g. water), see subsection H8.2 from volume 4 of [monograph \[1/4\]](#).

#G5.3. The water boiled with this heater is NOT suitable for drinking - means the analysis of water for the content of heavy metals carried out by the [Polish hobbyist](#):

Samples of water boiled in a traditional way and boiled telekinetically with the use of heater described here I also subjected to the analysis on the content of heavy metals - chromium, nickel, and iron. Unfortunately, my previous worries originally induced by the lack of increase in pH, become confirmed.

The analysis of water on an atomic spectroscope indicated that tap water - after 5 minute boiling with the conventional jug working on resistance contained 0.001 mg/litre of chromium, 0.0124 mg/l of iron, and < 0.01 mg/l nickel. But the same tap water - after 5 minute boiling in the telekinetic jug of the Davey's invention contained: 0.40 mg/l of chromium, 1.67 mg/l of iron, and 0.165 mg/l of nickel. Thus, after 5 minute boiling with telekinetic heater of Mr. Davey's invention the concentration of heavy metals originating from electrolysis dissolving spheres of the heater, is increasing significantly. The concentration of chromium grew 400 times. The concentration of iron grew 135 times, The concentration of nickel grew 16 times.

The norms that are to be obeyed in Poland are presently defined by the Table from enclosure to the Directive of the Minister of Health dated on 4 September 2000. According to these, the currently highest allowed concentrations of heavy metals in water designated to drinking amount to: chromium 0.05 mg/l, iron 0.2 mg/l, nickel 0.02 mg/l. All analysed metals exceeded the Polish norm around 8 times. Expressing this in other words, **water boiled with the heater of the design and principle of operation described here is NOT suitable for consumption.**

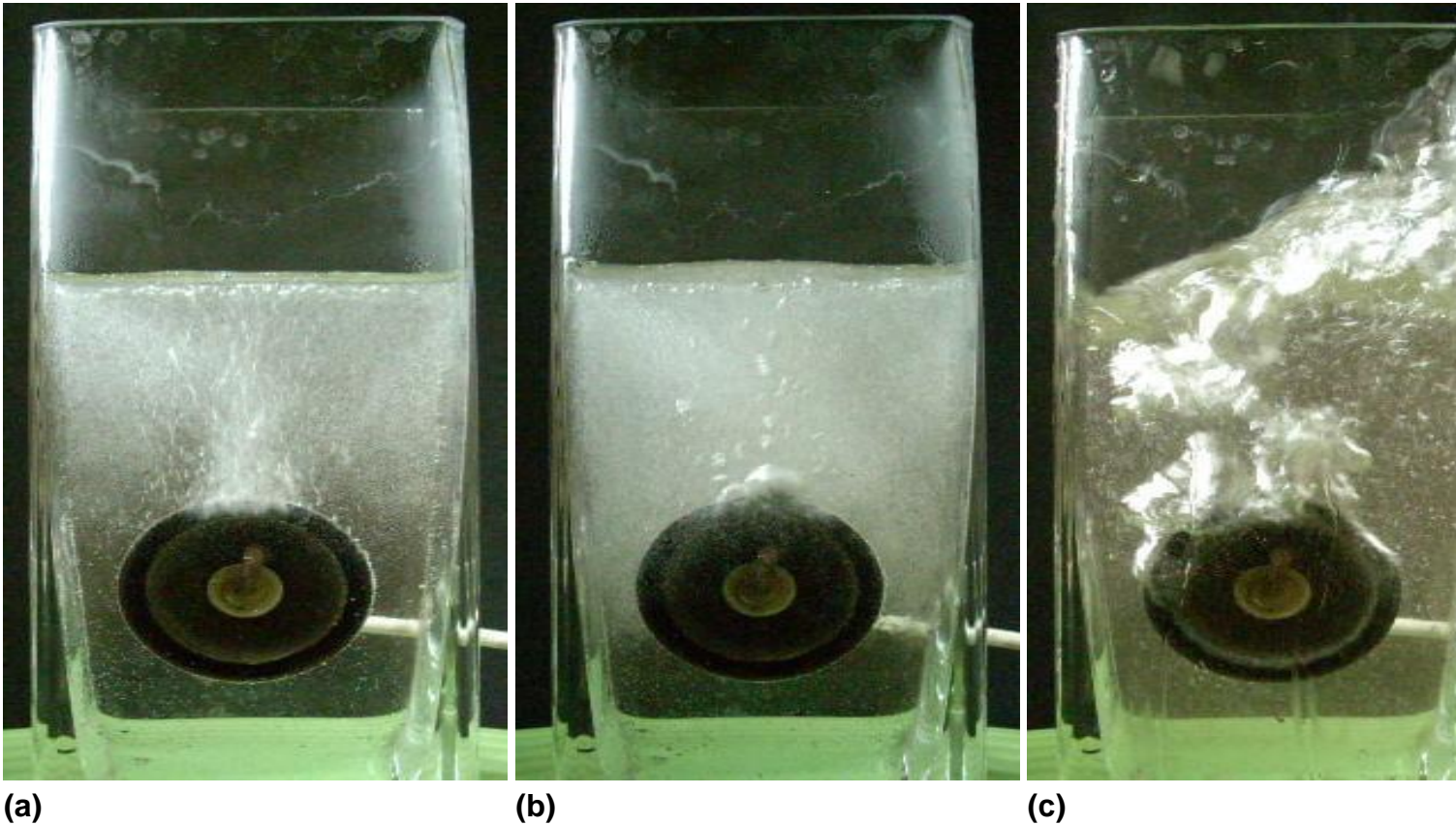


Fig. #G5.3abc: Photographs of specially prepared transparent jug which holds the telekinetic heater, prepared by the [Polish hobbyist](#). These three photos illustrate the most significant phases of telekinetic boiling of water. It is worth to notice, that in order to prepare the prototype of the above transparent jug which in the possibly best manner would expose phenomena that occur during the entire cycle of work of this heater, especially for this purpose this thorough hobbyist purchased a square (heat-resistance) glass dish and ordered a diamond drill which allowed him to make a hole in the side of the dish. (The hole was to enable the assembly of the telekinetic heater.) (Click on above photographs to see them enlarged or to shift them to other area of the screen.)

Fig. #G5.3a (left): The first phase of telekinetic boiling of cold water from a tap, which (the phase) this hobbyist calls "electrolysis". In this phase only electrolysis of water takes place - as the water is still too cold to start boiling. The electrolysis happens only at the very beginning of the process of heating of cold water (the above photo shows it), when still there are no bubbles of steam. The electrolysis is accompanied by the production of hydrogen and oxygen according to the reaction $(H_2O + energy) = ((H+) + (OH-))$, i.e. it yields hydrogen and the hydrogen-oxygen group usually called hydro-oxygen. Miniature bubbles of hydrogen are rushing upwards and gradually overtake the entire volume of water. In total, during the boiling of 1 litre of cold water around 0.2 litre of gases is produced. The spontaneous appearance of the electrolysis phase is a promising announcement of the possibility of future transformation of the heater described here into a "telekinetic dissociator of water" which is to become a heart for the pollution-free so-called "cars on water" described on the web page [eco cars.htm](#).

Fig. #G5.3b (middle): The second phase of telekinetic boiling of cold water

from a tap, which (the phase) in descriptions from item #G5.1 above is called the "inter-spherical boiling". In this phase first small bubbles of steam are appearing in water - which are visible on the above photograph. The phenomenon is accompanied by a buzzing which gradually is growing in power. The electrolysis is now replaced by the increasing boiling. Thus the electrolysis decreases smoothly and gradually diminishes. The buzzing of 50 Hz frequency increases until a significant level. Our notice attracts also the slight "milky" colour of water which begins to appear. This "milky" colour disappears in around 1 hour after finishing the boiling of water. This phase of "inter-spherical boiling" passes smoothly into the next phase of "volume boiling" which is shown in the next photo (c).

Fig. #G5.3c (right): The beginning of third phase of telekinetic boiling of cold water from a tap, which (the phase) in descriptions from item #G5.1 above is called the "volume boiling". In this phase the entire water on the circumference of vibrating sphere is boiling and bubbling. The heater generates a strong buzzing noise of 50 Hz frequency. Simultaneously the consumption of electricity drops down to its lowest value. Our notice attracts the work of inner spherical bowl of the heater. On the above photograph this work is clearly visible (the face of it is like surrounded with white light-fog). The boiled water from the tap takes slightly "milky" colour - which does NOT appear when boiled is the distilled water. This "milky" colour is caused in majority by the micro-particles of carbonate calcium CaCO_3 , visible against the light, which the heater crystallises in the tap water, and which cruise in its volume in circular motion until the temperature of it lowers down to the ambient temperature (after around 1 hour). The particles are so small, that their large number makes an impression as if the water is "milky". After the temperature of water reaches the ambient temperature, these particles fall down to the bottom of the glass, while water clarifies. Their falling down to bottom of the glass forms a noticeable layer of calcium - as illustrated on photograph "Fig. #G5.2b" above. (Notice from the photo from "Fig. #G5.2a" above, that water boiled in the conventional jug working on electrical resistance settles on the bottom of glass incomparably smaller amounts of calcium - almost zero). In other words, the heater described here not only boils water, but most probably also purifies it thoroughly from calcium - doing the job of a purifier much better than the best industrial filters for water. **(An interesting question whether this heater would equally well purify the sea water - thus turning it into a drinking water?)**

#G5.4. My commentary to the prototype and experiments completed by the Polish hobbyist:

I start this commentary from congratulating the rationality, precision, and accuracy with which the prototype and experiment described before were completed. In spite that the heater discussed here was researched by several scientific institutions in New Zealand, and also by several professional scientists and hobby investigators from various countries of the world, none amongst previous research could compare to the above in the quality, precision,

objectivity, and reliability - in spite that this hobbyist had just a most primitive equipment which does exist, namely only his home meter for the consumption of electricity. So I again have the pleasure to acknowledge with the pride whatever I explained (in Polish) in item #E1 of the totaliztic web page [rok.htm](#) - namely that according to my present experience, currently no nation in the world can compete with creative capabilities, level of education, knowledge, vision, laboriousness, and scientific inclinations of ordinary Poles.

It is very disappointing for me to learn from outcomes of this research, that these outcome clearly seem to disqualify the usefulness of that heater from every possible angle. For example, instead of life-giving "water of life", this heater seems to produce water so saturated with heavy metals originating from its spheres, that this **water NOT only is unsuitable for drinking, but also the consumption of that water would be dangerous**. So if in the future a new design is developed which would eliminate this dissolving of spheres, from the point of view of usefulness for consumption this heater is useless.

Unfortunately, the outcomes of "experiment 1" from item #G4.1 has not proven either the energy superiority of that heater. Although so-far these outcomes still remain inconclusive, nothing indicates that the energy efficiency of this heater could be at the level that on this subject was disseminated by various rumours. Although, because of the impossibility to compare the moment of boiling in a conventional (resistance) heater with the boiling by the telekinetic heater, the measured efficiency of telekinetic heater still can be erroneously lowered down by the fact that this heater evaporates bubbles of water much earlier and longer than the resistance heater. In addition, the measured efficiency of the telekinetic heater can be lowered because of its consumption of energy for hydrogen generation, telekinetisation of water, crystallisation of calcium impurities, and for the dissipation of steam for much longer time than it happens in other heaters. Therefore, it would be necessary to develop yet another experiment, in which measured and compared would be the total efficiency of both heater in boiling and in simultaneous evaporating of a specific amount of water. However, already at the present stage can be stated, that if the efficiency of that heater is higher than the efficiency of a resistance heater, this difference is going to be at the level of just several percent.

In spite of the lack of the conclusive outcome in measurements of efficiency and also in spite of the unsuitability of boiled water from the to-date design of that heater, the experiment of the Polish hobbyist still confirmed the superiority of that heater in a number of other areas. For example, this heater is the winner in speed of water boiling, which speed for the telekinetic heater is around twice as high as for a conventional heater, and is close to the speed of work of present microwave ovens - but without introducing dangers of hyper-heated water (which type of overheating is the cause of numerous life-threatening accidents in present microwave ovens). Furthermore, this heater displays a whole array of other advantages described in item #E5 above, which are missing in resistance heaters - for example it allows to boil any amounts of liquids in every shape of container. Therefore the research completed so far by the Polish hobbyist prove, that in the present design and principle of operation this heater is still useful in a number of technical applications - in which the purity of boiled water does NOT matter. Thus, it can already be used in heating systems, in hydrogen generators, in water

dissociators, in industrial installations, etc.

In order the principle of telekinetic heating could be applied also in boiling water for drinking, both the design as well as the principle of operation of that heater must be significantly improved. The fact that the to-date principle of operation of that heater caused the electrolytic dissolving of spheres in water, indicates for us the direction in which our searches for a new design should go. And so, we know that in the next version of that heater we must hermetically insulate the space between both spheres from the boiled water, so that water cannot get to this space. Thus, instead of water, into this space a conductive powder must be inserted of the required electrical resistance - for example a mixture of powdered carbon (graphite) and sand. After all, such conductive powder will still allow spheres to vibrate and to heat fast - thus it will maintain many of key phenomena that occur in the present design. But simultaneously the lack of access of water to both spheres will make impossible the dissolving of metals in the boiled water.

Inconclusiveness of to-date experiments on efficiency, combined with the fact that this heater displays a whole array of extraordinary attributes, cause that it is worth to intensify further research and experiments with new designs of that device. After all, it still remains unknown, what phenomena this heater generates, nor how these phenomena caused that its inventor that drunk for many years water telekinetised and saturated with metals by this heater, lived to the very mature age of almost 93 years (see item #E6 above and item #I2 below) - and in spite that according to my opinion the continuous stress of his over 60 years long fight with New Zealand bureaucrats took from him at least a quarter of the real length of his life. We also do not know why the completion of this heater is so viciously opposed by this supernatural "curse of inventors". After all - as it is explained in items #G1 to #G9 of the web page [eco_cars.htm](#), this supernatural "curse" creates for inventors the resistance which always is proportional to the progress that given inventions are to bring to our civilisation. So there is no doubt, that this heater hides something extremely vital for the humanity - thus our task is to determine what is this hidden knowledge and how we can utilise it for the good of all people (I personally believe that it is the unknown yet to people phenomenon of biologically active **telekinetisation**). So let us roll our sleeves and get to work on this extraordinary device!

Part #H: New ideas:

#H1. In the today's world of blinding "immorality", it is extremely difficult to encounter truly new ideas:

In the world wisely ruled by the almighty God (i.e. in the world in which we live - as has been proved in items #B1 to #B3 from the web page [changelings.htm](#)), people whose philosophy of life is saturated with the so-called "immorality" (see the definition from item #B5 of the web page named [morals.htm](#)) are unable to generate creatively any truly new idea - which would enable the humanity to make a "real progress". Practically, **the majority of immoral people are NOT even able to recognize trully new ideas, although sometimes they literally break their noses over these ideas.** In the most beneficial cases, such immoral people can at the most generate the so-called "false progress" - defined more comprehensively in item #G4 from the web page named [eco_cars.htm](#). Because our current civilization has already become almost as "immoral" as residents of the Biblical Sodom and Gomorrah - which fact is explained in more details in item #G3 from the web page named [prophecies.htm](#), no-one should be surprised that in this civilisation the appearance of any truly new idea becomes lately a great rarity. For this reason, the "part #H" of this web page I intend to devote to publishing new ideas of authorship other than mine, which are related to the topic of "free energy", and at which I come across in my research.

#H2. The idea of improving the Davey's boiler:

On 28 December 2012 I received an email from one of the readers of this web page. It contained a description of the reader's idea as how to improve the Davey's boiler. **During the reading of this idea it is worth to have a look at my descriptions of the so-called "amphora from Pakistan" presented, amongst others, in item #E4.2 from this web page.** Below I am quoting the content of this email. (My free translation of this email into the Polish language is provided in the equivalent of this point from the [Polish version of this web page](#).) Here is the text of this email:

Dear Professor,

Season's greetings to you from the other side of this world. I'm a diesel mechanic living in Ireland. I found your work fascinating to study, thank you.

Whilst reading of Mr Davey's boiler and the knots he was trying to unravel; a simple idea came to me.

According to the very reduced electrical usage of this device, it seems to me that direct contact with ANY wire is most likely not needed at all. In fact may have been the bureaucratic gate Mr Davey could not open.

The heat is produced by the resonance between the closely set bowls.... The electric provides this resonance; it does not provide the heat. Remake the device

with an external solenoid attached to the inner bowl via a brass rod, fix the outer bowl to the kettle body. turn on and tune to required electrical supply company frequency. If this heats the water it proves my theory. Tuning can now be done in reduced time with simple electronics instead of removing metal in gradual efforts on a grinder, thereby increasing its build time. Now, a new device can be made by using a hydraulic connection between the inner bowl and a remote solenoid, so long as there is no air inside. It could be simple cheap plastic windscreen washer pipe with water or oil for fluid. The electrical connection is now remote from any water and could be hidden inside all modern plastic kettle handles. The small diameter of the pipe ensures it lets the water transmit the vibration.

I claim no financial interest in this or other works found on your site. You see, some of us remember our time BEFORE birth down here and it would not be right for me to claim anything.

UFO's do exist, do not let anyone tell you otherwise. Whilst some use old technology like you show, some now have self configurable external surfaces and some are now constructed on thought alone.

kind regards Nick

Ps, regarding your continued computer interference. 1/ It shows that you are on the right track, and your theories stand up for themselves. 2/ Try "SimplyMepis" linux, you can download for free and it has now become as user friendly as those awful Microsoft products. I changed over two years ago with no bother at 56yrs old. I used to spend 60% of my time chasing bugs, now I just do not get ANY bugs at all.

In order to NOT compromise the privacy of the sender of this email, I do NOT provide here his address. However, if any reader wishes to discuss the above idea with that person, then please write to me, and I will pass the received correspondence to the sender of the above email. (In such a case, in correspondence posted to my care please give me a formal permission to pass your correspondence, and also your email address, further to the sender of the above email.)

Part #1: At the end of this web page:

#1. A very sad conclusion - I am sorry to inform that Mr Peter Daysh Davey died in October 2008:

At this point I have a sad duty to inform, that this brilliant inventor is no longer with us. He died in October 2008. Means, after over 60 years of fights for his invention, the late Peter Daysh Davey finally gave up. In this way another martyr in the name of progress become silent and a further leading victim of the "curse of inventors" is no longer amongst us.

Of course, the death of the late Peter Daysh Davey has changed the situation to-date regarding the so-called "intellectual property" of his invention. For example, in times when this inventor was still alive, everyone who intended to implement his invention into a mass factory production could consult with him conditions on which this could take place. But currently such a consultation is impossible. Fortunately, knowing his fate, struggles, and philosophy, it is easy to imagine what these conditions would be - if he could explain them now. After all, like every other inventor who lost his confrontation with the "curse of inventors", also Peter Daysh Davey would surely wish that in the future no other inventor is going to experience his bitter fate. For this reason herewith I am reminding all these industrialists, who in the future are going to draw profits from the invention of the late Peter Daysh Davey described here, that they have a moral duty to designate a percent of their profits into a fund marked with his name. In turn this fund they have the moral duty to designate for supporting "cursed inventions and inventors" which were, or will be, affected by the fate that is similar to that experienced by the late Peter Daysh Davey.

#12. The age of almost 93 years to which lived the inventor that drunk the telekinetised water from the heater described here, seems to confirm the life-giving capabilities of this heater:

Although every death comes too early, including the death of the late Peter Daysh Davey, in his case the highly comforting is the fact, that he lived to rather non-typically old age. After all, at the moment of death he was almost 93 years old. Thus the question which is worth to ask, is whether his living to such an old age has any link with the fact that for many years he drank the telekinetised water produced by his heater - for details see item #E6 above. The matter of attributes of that water is even more intriguing, because according to subsection #G5.3 above, the principle of operation of his heater causes the dangerous for health electrolytic dissolving of heavy metals of the spheres and the saturation of water with these metals. Thus all signs indicate that while drinking the water boiled with his heater, he consistently saturated his body with metals from which spheres of his boiler were made (probably with highly unhealthy aluminium). We must also remember that for the last 60 years of his life, he was constantly tormented by never-ending fights and hostilities with New Zealand bureaucrats who repetitively

refused to give him a permission for implementing his heater to a factory production. On the other hand we know already how much life shortening is the stress, suppression, disappointment, depression, etc., introduced through such kinds of negative pressures from authorities. Because I myself also continually experience this type of oppression because of my own inventions and discoveries (e.g. see my [Magnocrafts](#), [Time Vehicles](#), or [Oscillatory Chambers](#)), I know painfully well how indescribable destruction such never-ending persecution causes in the organism. Therefore, I personally estimate that the destructive consequences of such hostilities remove around a quarter of years from the length of life of a given inventor or discoverer subjected to these forms of oppression. Therefore, in my personal opinion, if the later Mr Davey was NOT subjected in his life to all these destructive experience, he probably would live till the maximal age promised by God, means to the age of 120 years (see the [Biblical Book of Genesis](#), 6:3, quote: "Then the Lord said, 'I will not allow people to live forever; they are mortal. From now on they will live no longer than 120 years.' ") But it is known also, that so-far no-one on the Earth lived to this maximal age of 120 years. Therefore, in my opinion the sole fact, that possible changing the principle of operation of that heater into such one that does NOT allow the dissolving of heavy metals of its spheres, could allow drinking the telekinetised water generated by the heater described here, thus opening a possibility that this water may increase the chances of living of the drinker to this maximal age of 120 years. This already in itself suffices to subject this heater to further improvements and investigations, so that this undesirable dissolving of spheres in the boiled water is eliminated.

Independently from these 93 years of life by the inventor of this heater, there is another meaningful premise which also suggests that this heater probably generates the "water of life". This premise is the viciousness with which the so-called "curse of inventors" holds back the construction, research, production, and introduction to the common use of this extraordinary heater. As it is explained in items #G1 to #G9 from the web page [eco_cars.htm](#), this supernatural "curse of inventors" always generates the resistance against inventors and against people who introduce new inventions, which resistance is proportional to the progress that a given invention is to introduce to our civilisation. Thus, there is no doubt, that the heater described here hides in itself some kind of progress which is to turn extremely vital for the humanity. Because it appears, that this progress is not represented by the energy efficiency of this heater, most probably the future research will indicate that it is some other mysterious property. So we should not eliminate from our considerations the possibility, that it is the life-giving ability of water boiled by this heater. In other words, the "curse of inventors" also seems to suggest, that this heater produces the telekinetised "water of life" which is going to increase the longevity of people who drink it. So it is about the time that we start to complete experiments described in item #G4.2 from this web page.

Part #J: At the end of this web page:

#J1. Summary of this web page:

As our civilisation becomes increasingly secular and increasingly distancing itself from **God**, God less frequently openly interferes into human matters. Thus, this web page describes one amongst rare cases, when such almost open intervention of God clearly took place. The visible intention of this intervention of **God** himself in matters of the boiler described here, was restoring the universal justice by "messing up plans" of the "curse of inventors" which with the use of tricks tries to block the industrial implementation of the technology of telekinetic generators of energy so immensely needed on the Earth.

Part #K: The editorial information for this web page:

#K1. Blogs of totalizm:

It is also worth to check periodically the blog of totalizm available under several address, e.g.: totalizm.wordpress.com, and totalizm.blox.pl/html. (Notice that both these addresses hold the same blog with the same content of messages.) On this blog many matters discussed here are also explained with additional details written as new events unveil before our eyes.

#K2. Discussions in internet forums:

Every new topic introduced to totaliztic web pages is also discussed on internet discussion forums. After all, in spite that in present times in the internet is raging so extremely rough culture of swearing and spitting that increasingly frequent it becomes the reason for public concerns (e.g. see the article "Excuse me, could we please be a bit more polite" from page B3 of the New Zealand newspaper [Weekend Herald](#), issue dated on Saturday, January 3, 2009), still sometimes, although rarely, appear in the internet discussion voices which introduce something new to a given topic. In case of totaliztic web pages these rare rational voices sometimes inspire improvements and additions to the subject area included into the research and development of the [philosophy of totalizm](#). Therefore, herewith I have the pleasure to invite readers of this web page to periodically have a look at these discussion voiced from internet forums. Links to subsequent topics subjected to the discussion on these forums, are provided in

item #E2 of the totaliztic web page named [faq.htm](#).

#K3. How with the web page named "[skorowidz links.htm](#)" one can find totaliztic descriptions of topics in which he is interested:

A whole array of topics equally interesting as these from the above web page, is also discussed from the angle that is unique to the philosophy of totalizm. All these related topics can be found and identified with the use of [content index](#) prepared especially to make easier finding these web pages and topics. The name "index" means a list of "key words" usually provided at the end of textbooks, which allows to find fast the description or the topic in which we are interested. My web pages also has such a content "index" - only that it is additionally supplied in green [links](#) which after "clicking" at them with a mouse immediately open the web page with the topic that interest the reader. This content "index" is provided on the web page named [skorowidz links.htm](#). It can be called from the "organising" part of "Menu 1" of every totaliztic web page. I would recommend to look at it and to begin using it systematically - after all it brings closer hundreds of totaliztic topics which can be of interest to everyone.

#K4. Emails and contact details to the [author](#) of this web page:

Current email addresses to the author of this web page, i.e. officially to [Dr Eng. Jan Pajak](#) while courteously to **Prof. Dr Eng. Jan Pajak**, at which readers can post possible comments, inquiries, or replies to questions which I ask on my web pages, are provided on the web page [about me \(Dr Eng. Jan Pajak\)](#). That page also provides other commonly used contact details to the author.

The author's right for the use of **courteous** title of "Professor" stems from the custom that "with professors is like with generals", namely **when someone is once a professor, than he or she courteously remains a professor forever**. In turn the author of this web page was a professor at 4 different universities, i.e. at 3 of them, from 1 September 1992 untill 31 October 1998, as an "Associate Professor" from English-based educational system, while on one university as a (Full) "Professor" (since 1 March 2007 till 31 December 2007 - means at the last place of employment in his professional life).

However, please notice that because of my rather chronic lack of time, I **reluctantly reply to emails which contain JUST time consuming requests**, while simultaneously they document a complete ignorance of their author in the

topic area which I am researching. Therefore, if the reader sends a request to me, I suggest to let me know somehow that he or she actually went through the trouble of reading my web pages and learning what these pages try to say.

#K5. A copy of this web page is also disseminated as a brochure from series [11] in the safe format "PDF":

This web page is also available in the form of a brochure marked [11], which is prepared in "PDF" ("Portable Document Format") - currently considered to be the most safe amongst all internet formats, as normally viruses cannot cling to PDF. This clear brochure is ready both, for printing, as well as for reading from a computer screen. It also has all its green links still active. Thus, if it is read from the computer screen connected to internet, then after clicking onto these green links, the linked web pages and illustrations will open. Unfortunately, because the volume of it is around a double of the volume of web page which this brochure publishes, the memory limitations on a significant number of free servers which I use, do NOT allow to offer it from them (so if it does NOT download from this address, because it is NOT available on this server, then you should click onto any other address from Menu 3, and then check whether in there it is available). In order to open this brochure (and/or download it to own computer), it suffices to either click on the following green link

[boiler.pdf](#)

or to open from any totaliztic web site the PDF file named as in the above green link.

If the reader wishes to check, whether some other totaliztic web page which he or she just is studying, is also available in the form of such PDF brochure, then should check whether it is listed amongst links from "part #B" of the web page named text 11.htm. This is because links from there indicate all totaliztic web pages, which are already published as such brochures from series [11] in PDF format. I wish you a fruitful reading!

#K6. Copyrights © 2013 by Dr Jan Pajak:

Copyrights © 2013 by Dr Jan Pajak. All rights reserved. This web page is a report from outcomes of research of the author - only that is written in a popular language (so that it can be understood by readers with non-scientific orientation). Ideas presented on this web page (and also in other publications by the author) are unique for the author's research, and thus from the same angle these ideas were NOT presented by any other researcher. As such, this web page presents ideas which are the intellectual property of the author. Therefore, the content of

this web page is the subject to the same laws of intellectual ownership as every other scientific publication. Especially the author reserves for himself the credit-rights for the scientific discoveries and inventions described on this web page. Therefore, the author reserves that during repeating any idea presented on this web page (i.e. any theory, principle, deduction, interpretation, device, evidence, proof, etc.), the repeating person gives a full credit to the author of this web page, through clearly explaining that the author of a given idea is Dr Jan Pajak, through indicating the internet address of this web page under which this idea was published, and through mentioning the date of most recent update of this web page (i.e. the date indicated below).

* * *

If you prefer to read in Polish click on the flag below
(Jeśli preferujesz czytanie w języku polskim
kliknij na poniższą flagę)



Date of starting this page: 30 January 2008
Date of the most recent update of this page: 8 March 2013
(Check in "Menu 3" whether there is even a more recent update!)

[counter](#)